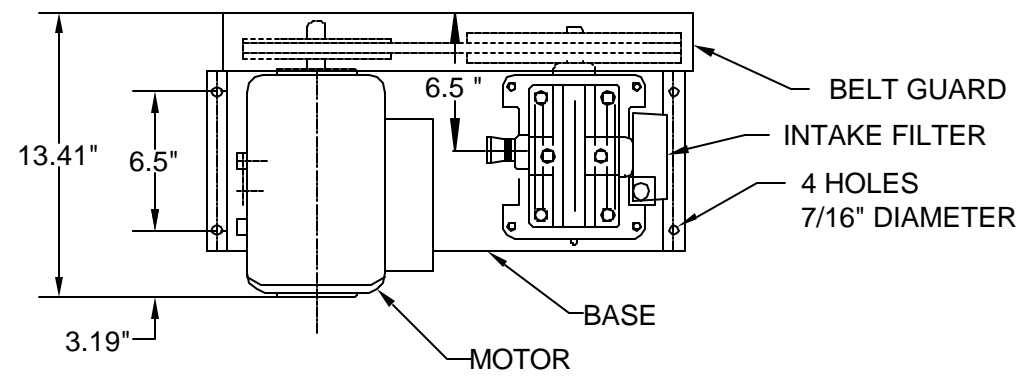
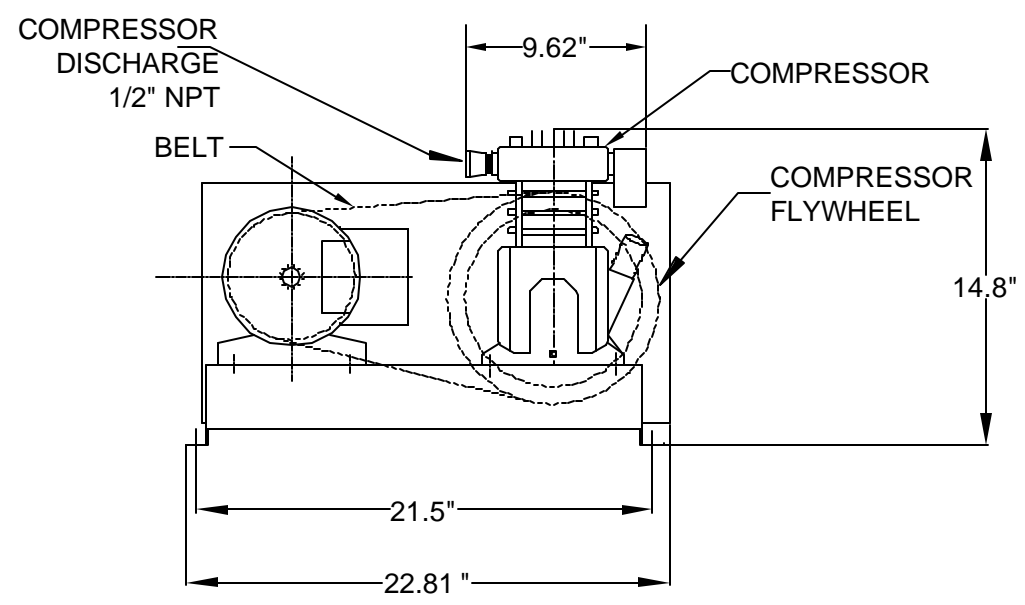


4 | 3 | 2 | 1

REVISIONS				
ZONE	REV	DESCRIPTION	DATE	APPROVED
	2	REDRAWN TO AUTOCAD	03-30-06	



- NOTES:
- 1) THIS DRAWING REPRESENTS MULTIPLE ASSEMBLIES. SEE TABLE BELOW FOR MODELS REPRESENTED.
 - 2) REFERENCE INDIVIDUAL PARTS LISTS FOR COMPONENT PART NUMBERS.
 - 3) REFERENCE INSTRUCTION MANUAL FOR INSTALLATION AND WIRING RECOMMENDATIONS.



MODEL NUMBER	VOLTAGE
L1200200A	115/230V/60HZ/1PH
L1200200A-50	110/220V/50HZ/1PH
L1200200B	230/460V/60HZ/3PH
L1200200B-50	190/380V/50HZ/3PH

COMPRESSOR|BASE MOUNT LUBRICATED COMPRESSORS\L1220200.DWG

4 | 3 | 2 | 1

UNLESS OTHERWISE SPECIFIED
DIMENSIONS ARE IN INCHES
TOLERANCES ARE
FRACTIONS DECIMALS ANGLES
±1/4 .004-13 ±1/2

GENERAL
AIR PRODUCTS

APPROVALS: EJR, [Signature], [Signature]
DATE: [Blank]
DRAWN: EJR
CHECKED: [Signature]
DATE: [Blank]
SCALE: [Blank]
SHEET: [Blank]
NTS
1 OF 1

GENERAL
AIR PRODUCTS

GENERAL ARRANGEMENT
2 HORSE POWER
LUBRICATED COMPRESSORS

DWG NO. G-200076
REV 2