



GENERAL

LT2000-0304-1

AIR PRODUCTS

Quality & Service Since 1936



Complete Wiring Instructions for **LT2000500** Lubricated Tank Mounted Compressor

Section 1 - Introduction / Warnings

Section 2 - Wiring for Single Phase, Low Voltage

Section 3 - Wiring for Single Phase, High Voltage

Section 4 - Wiring for Three Phase, Low Voltage

Section 5 - Wiring for Three Phase, High Voltage

Call Toll Free

1-800-345-8207

or visit us on the web at

www.GENERALAIRPRODUCTS.com

Introduction

General Air Products, Inc. has been an industry leader in quality products and customer service since its creation in 1936. Our persistent effort in meeting the needs of our customers assures that we will continue to lead in these areas. In keeping with these ideals we bring you this comprehensive wiring manual.

Inside you will find pictures and detailed instructions on how to properly wire your LT2000500* Lubricated Tank Mounted Air Compressor.

If you have any questions or problems during the installation process please call us toll free at 1-800-345-8207.

Warnings

- All electrical work must be completed by qualified electrical personnel, familiar with local and national codes.
- Motors are NOT factory wired. Connections for low or high voltage must be set by the installing personnel.
- Beware of long runs from the main power supply to the compressor, this can cause severe voltage drops. Voltage drops must be compensated for by increased wire size - consult factory for details.
- All units are controlled by a pressure switch. Ensure that the motor and incoming power supply are wired to the pressure switch.
- Magnetic Starters are recommended for all units and are required by electrical code for all 3 phase units.
- To ensure proper voltage to the compressor, a voltage reading MUST be taken while the compressor is running. We also recommend taking a voltage reading while the compressor is re-starting under load to verify the electrical service capacity.
- The current (amps) drawn by the compressor should be checked in conjunction with above. Starting and re-starting current loads will be higher initially than full load current. Our recommended wire sizes take this into account.
- Adjusting the pressure switch voids warranty - CONSULT FACTORY. Adjusting the pressure switch to a higher pressure could overload the motor.
- Beware - Capacitors hold voltage. Do not handle.
- Motors are NEMA rated, which means they will operate at +/-10% of name plate rating. The 10 percent applies to low and high voltage, but not 208v. This means motors wired for 208/230v will operate between 207v and 253v. **200v motors available - consult factory.**

**If you experience ANY electrical problems,
contact the factory IMMEDIATELY by calling 1-800-345-8207**

Wiring Instructions for LT2000500 Section 2

Single Phase - Low Voltage

Our Model LT2000500A is not available in low voltage single phase. The LT2000500A is only available in 208-230v.

If you require a model of this size in 115v, Single Phase, please contact our customer service representatives for information.

Wiring Instructions for LT2000500 Section 3

Single Phase - High Voltage (208-230v)

Model Number: LT2000500A



Wiring the LT2000500A for High Voltage (208-230v)

T1 to T5 to Line 1

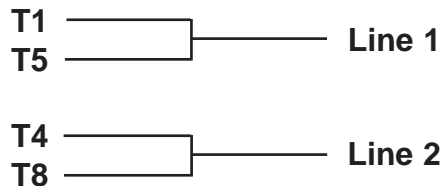
T4 to T8 to Line 2

(Shows Correct Rotation)

Important Note:

Check arrow on flywheel and/or beltguard to verify proper rotation. Typical rotation for this unit is *COUNTER-CLOCKWISE* (when viewed from the motor shaft side) - wiring diagrams are shown as such.

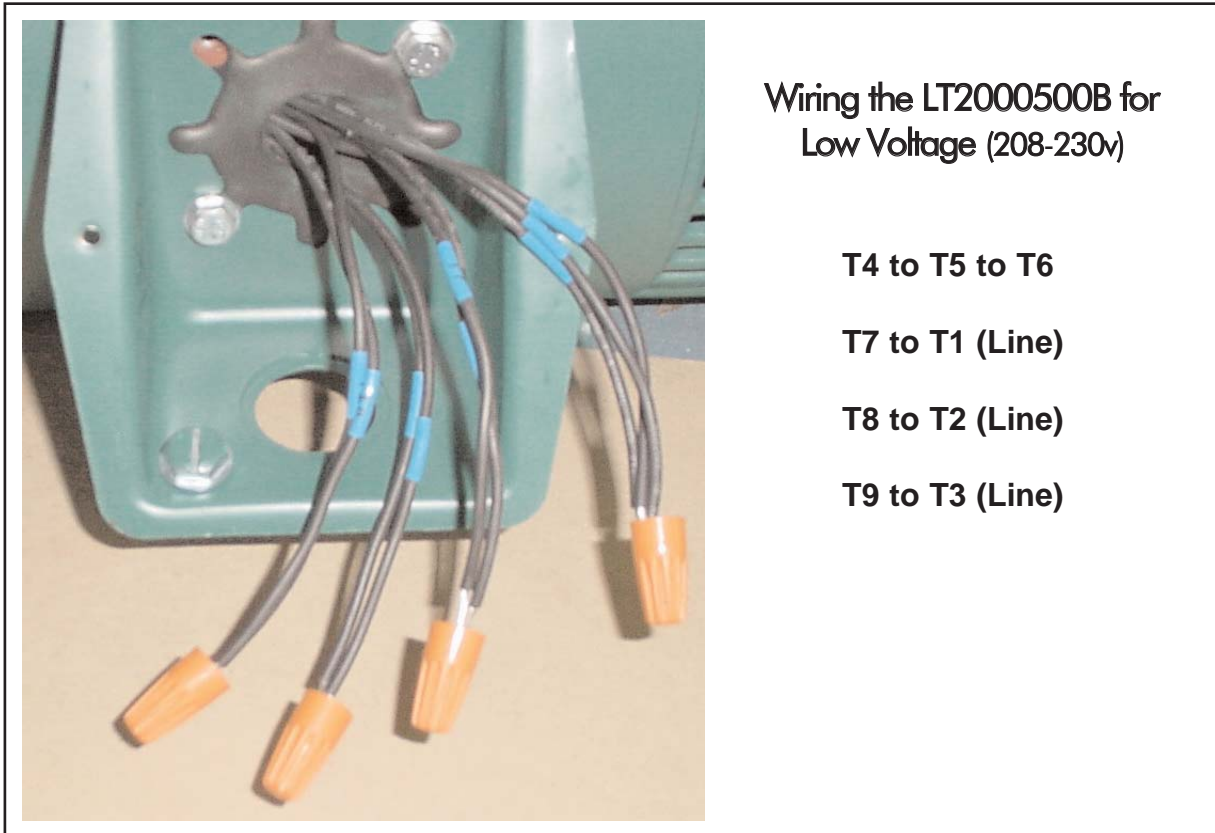
Wiring Diagram for LT2000500A
High Voltage (208-230v) - Shows Correct Rotation



Wiring Instructions for LT2000500 Section 4

Three Phase - Low Voltage (208-230v)

Model Number: LT2000500B



Wiring the LT2000500B for Low Voltage (208-230v)

T4 to T5 to T6

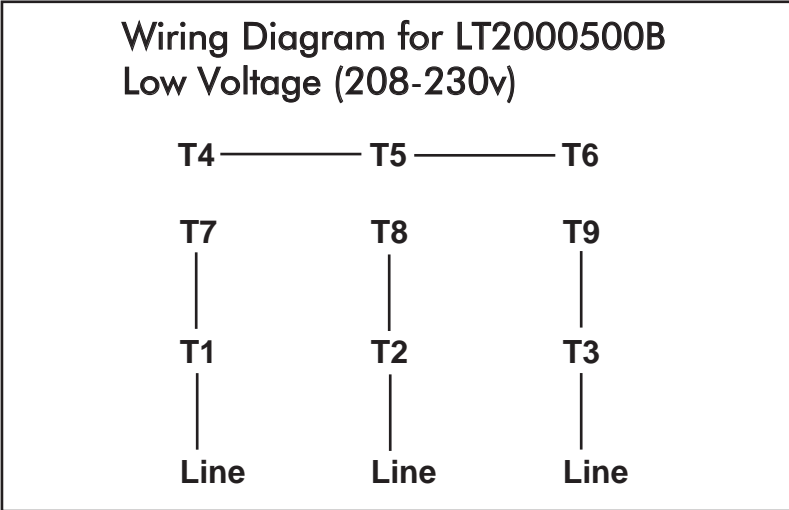
T7 to T1 (Line)

T8 to T2 (Line)

T9 to T3 (Line)

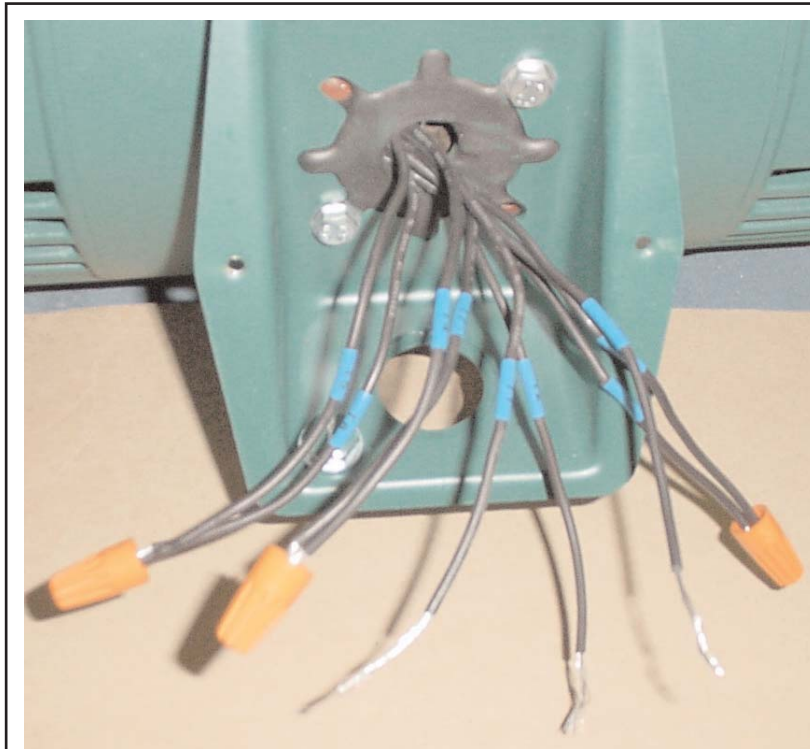
Important Note:

For correct rotation, interchange any of the three incoming wires (Line).



Wiring Instructions for LT2000500 Section 5

Three Phase - High Voltage (460v)
Model Number: LT2000500B



Wiring the LT2000500B
for High Voltage (460v)

T1 to Line

T2 to Line

T3 to Line

T4 to T7

T5 to T8

T6 to T9

Important Note:

For correct rotation, interchange any of the three incoming wires (Line).

**Wiring Diagram for LT2000500B
High Voltage (460v)**

