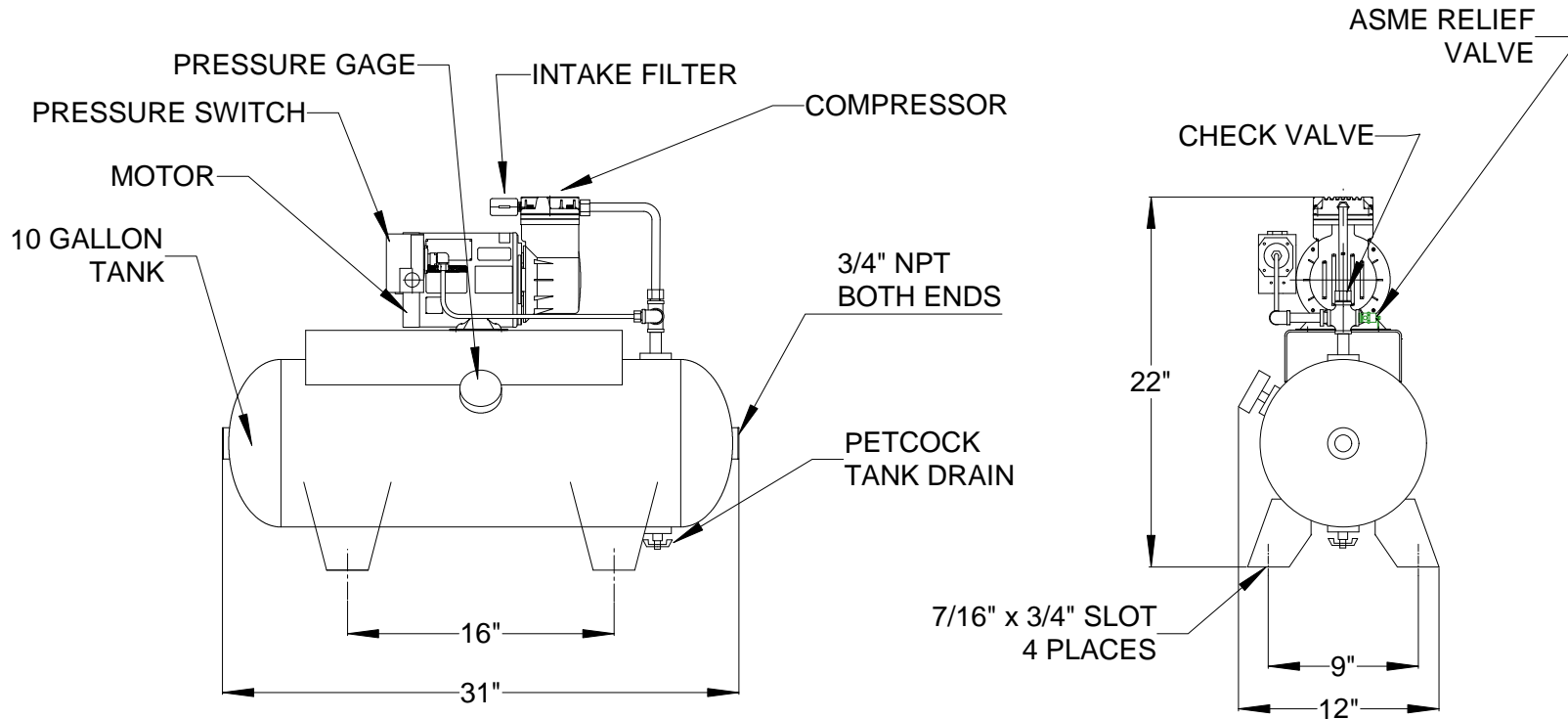



NOTES:

- 1) THIS DRAWING REPRESENTS MULTIPLE ASSEMBLIES. SEE TABLE FOR MODELS REPRESENTED.
- 2) REFERENCE INDIVIDUAL PARTS LISTS FOR COMPONENT PART NUMBERS.
- 3) REFERENCE INSTRUCTION MANUAL FOR INSTALLATION AND WIRING RECOMMENDATIONS.

MODEL	VOLTAGE
OL11016ACT	115/60HZ/1PH
OL11016ACT-50	220V/50HZ/1PH



			
		<b>TITLE</b> GENERAL ARRANGEMENT 1/6 HORSEPOWER TANK MOUNTED OIL-LESS COMPRESSOR	
SIZE A	DRAWN BY: DPH	DATE: 08/24/00	REV 0
SCALE NTS	DWG NO G-200101	SHEET 1 OF 1	