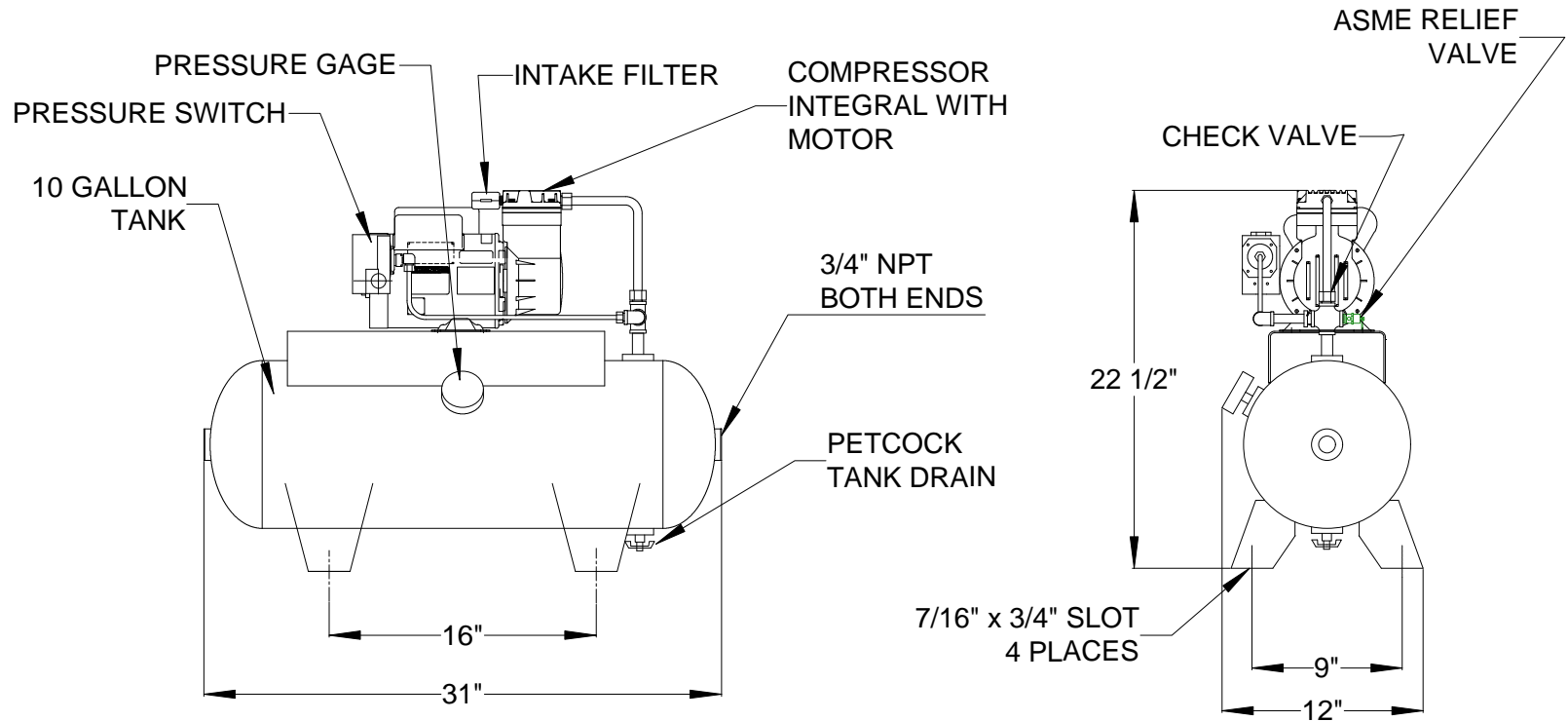


NOTES:

- 1) REFERENCE INDIVIDUAL PARTS LIST FOR COMPONENT PART NUMBERS.
- 2) REFERENCE INSTRUCTION MANUAL FOR INSTALLATION AND WIRING RECOMMENDATIONS.



MODEL	VOLTAGE
OL21533ACT	115/230V/60HZ/1PH
OL21533ACT-50	220V/50HZ/1PH

SIZE A	DRAWN BY: DPH	DATE: 08/24/00	REV 0
SCALE NTS	DWG NO G-200102	SHEET 1 OF 1	