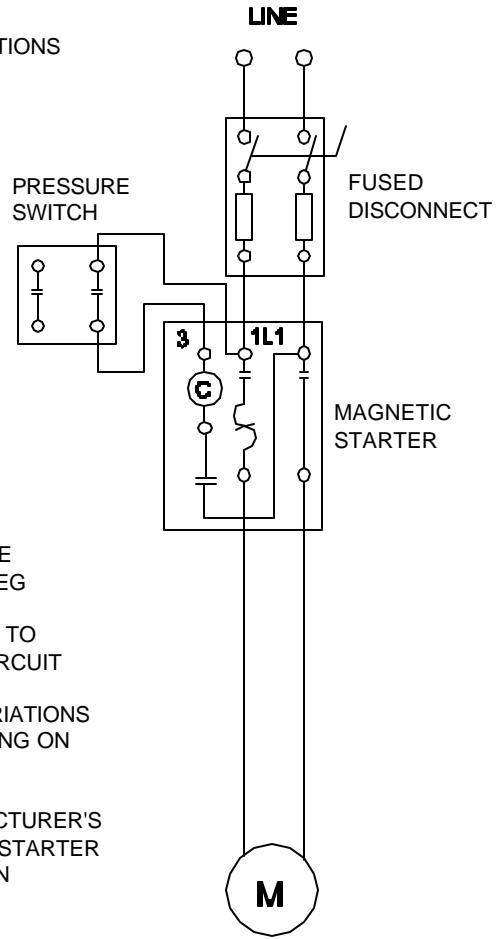


REVISIONS				
ZONE	REV	DESCRIPTION	DATE	APPROVED
	1	REDRAWN TO AUTOCAD	10-03-05	
	2	ADDED TERMINALS 1L1 & 3	11-02-05	

NOTE: MOST MOTORS ARE MULTIPLE VOLTAGE. CHECK NAMEPLATE AND VERIFY CORRECT INTERNAL CONNECTIONS FOR VOLTAGE BEING SUPPLIED TO UNIT.

FEEDER WIRE SIZE MUST BE CAPABLE OF CARRYING CURRENT LOAD OF COMPRESSOR AT MAXIMUM PRESSURE.



**FIG 1**  
SINGLE PHASE

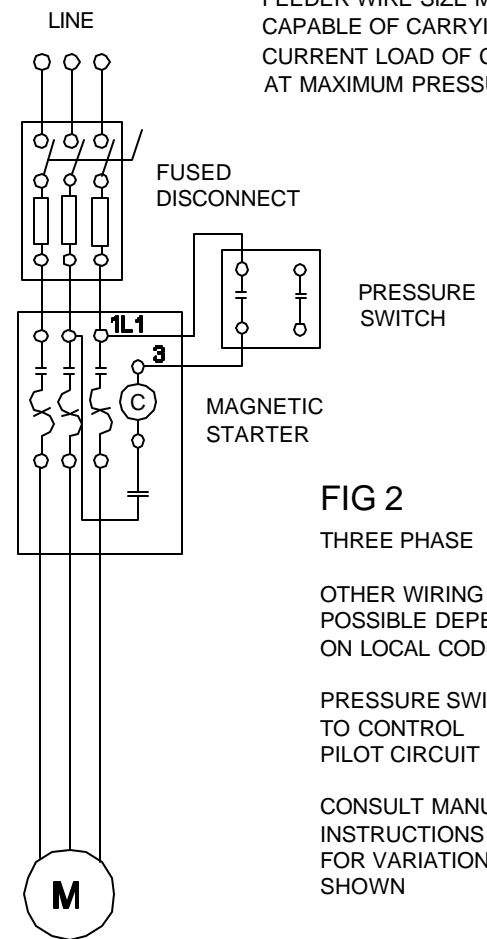
FOR 115V ELIMINATE FUSE IN GROUND LEG

PRESSURE SWITCH TO CONTROL PILOT CIRCUIT

OTHER WIRING VARIATIONS POSSIBLE DEPENDING ON LOCAL CODES

CONSULT MANUFACTURER'S INSTRUCTIONS ON STARTER FOR VARIATIONS ON DIAGRAM

**FIG 1**



**FIG 2**  
THREE PHASE

OTHER WIRING VARIATIONS POSSIBLE DEPENDING ON LOCAL CODES

PRESSURE SWITCH TO CONTROL PILOT CIRCUIT

CONSULT MANUFACTURER'S INSTRUCTIONS ON STARTER FOR VARIATIONS ON DIAGRAM SHOWN

**FIG 2**

UNLESS OTHERWISE SPECIFIED  
DIMENSIONS ARE IN INCHES  
TOLERANCES ARE  
FRACTIONS DECIMALS ANGLES  
±1/4 .004-13 ±1/2°

**GENERAL**  
AIR PRODUCTS

APPROVALS	DATE
DRAWN EJR	
DESIGNED DCH	
SCHEM NTS	
DRAWN 1 OF 1	

**WIRING INSTRUCTIONS**  
SINGLE AND THREE PHASE  
LUBRICATED COMPRESSOR

DWG NO. E-205126  
REV 2