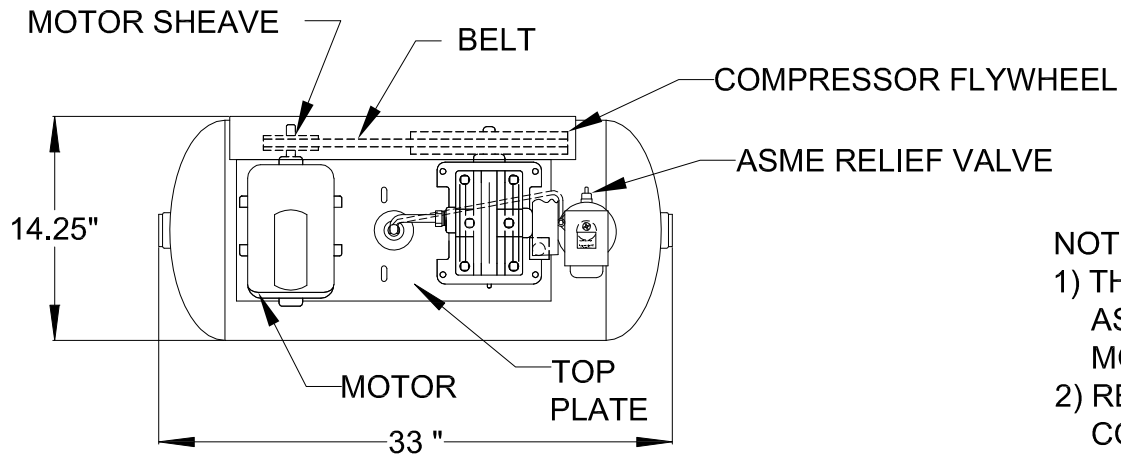
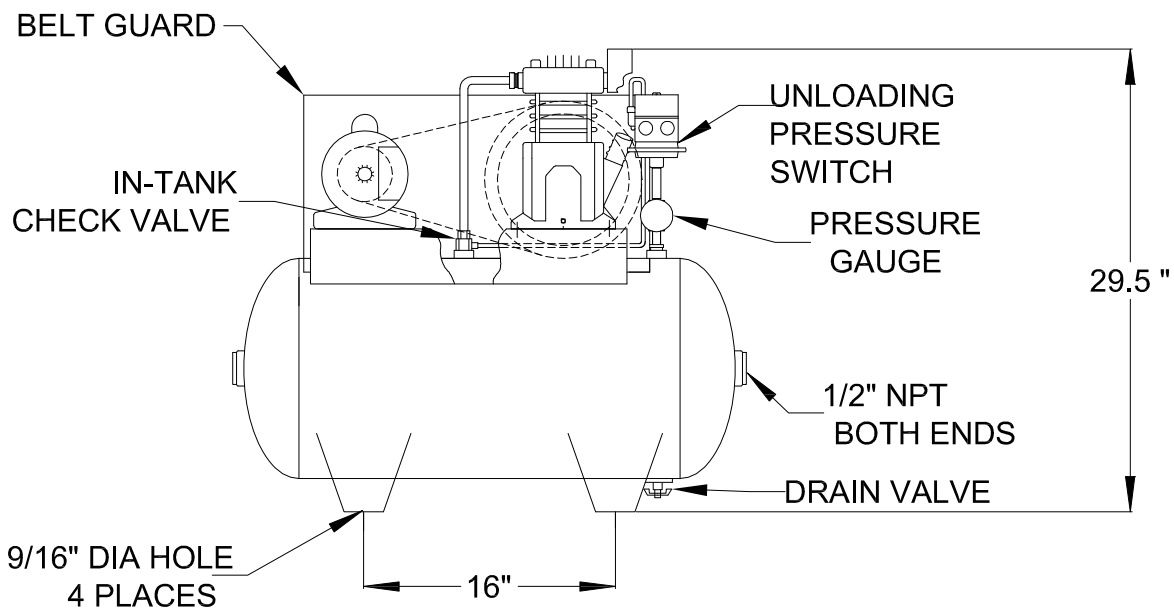


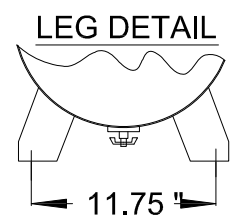
REVISIONS				
ZONE	REV	DESCRIPTION	DATE	APPROVED
	2	REVISED AND REDRAWN TO AUTOCAD	09-24-09	



- NOTES:
- 1) THIS DRAWING REPRESENTS MULTIPLE ASSEMBLIES. SEE TABLE BELOW FOR MODELS REPRESENTED.
  - 2) REFERENCE INDIVIDUAL PARTS LISTS FOR COMPONENT PART NUMBERS.
  - 3) REFERENCE INSTRUCTION MANUAL FOR INSTALLATION AND WIRING RECOMMENDATIONS.



MODEL	VOLTAGE
LT620100A	115/208-230V/60HZ/1PH
LT620100A-50	110/220V/50HZ/1PH
LT620100B	230/460/60HZ/3PH
LT620100B-50	190/380V/50HZ/3PH



**GENERAL**  
AIR PRODUCTS

APPROVALS	DATE	TITLE
DRAWN EJR	09-24-09	GENERAL ARRANGEMENT 1 HORSEPOWER TANK MOUNTED LUBRICATED COMPRESSORS
CHECKED DPH	09-24-09	
SCALE	SIZE	DWG NO. G-200085
SHEET 1 OF 1	C	REV 2

UNLESS OTHERWISE SPECIFIED  
DIMENSIONS ARE IN INCHES  
TOLERANCES ARE:  
FRACTIONS DECIMALS ANGLES  
±1/4 .XX ±.50 ±1/2°