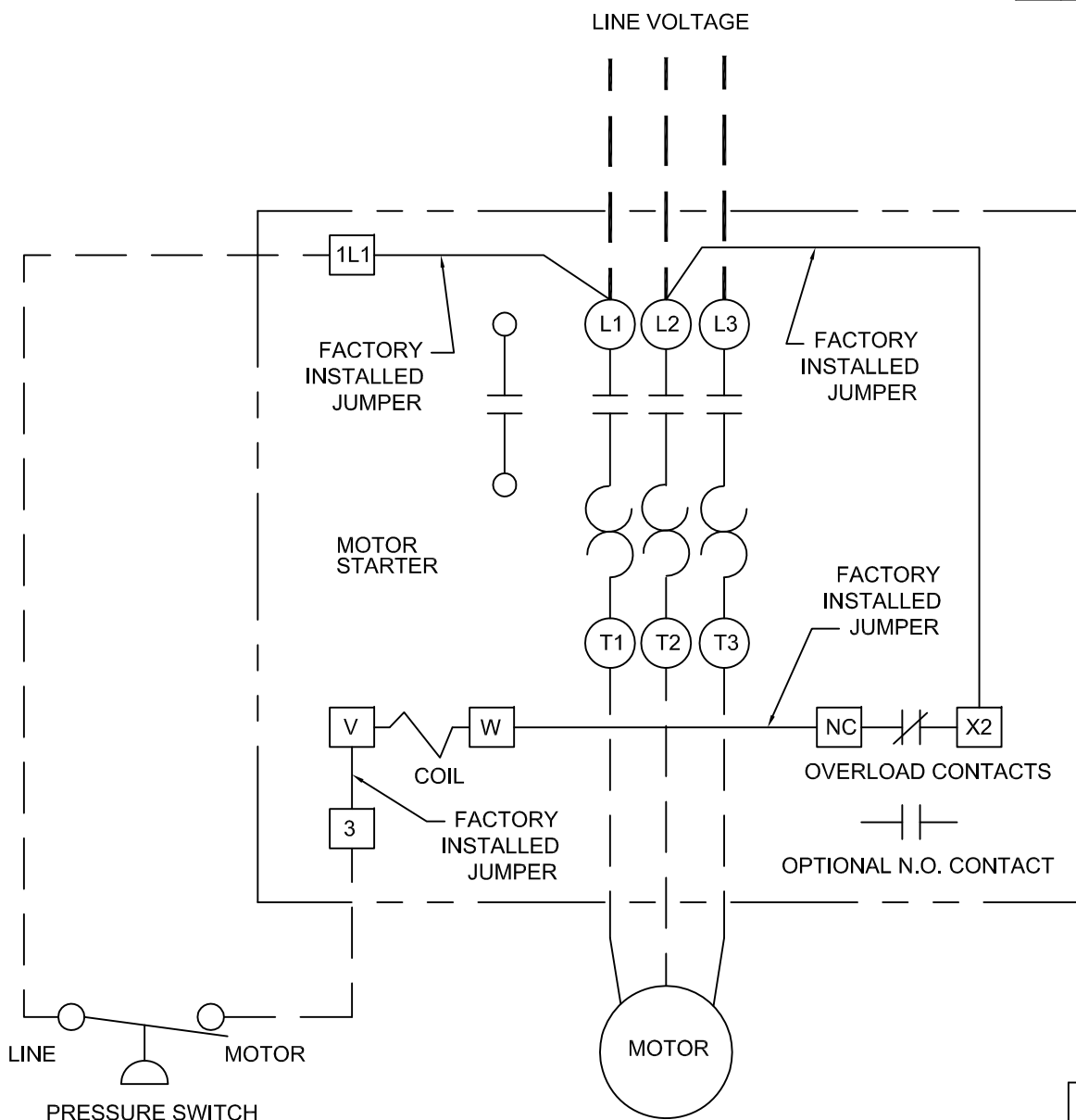


REVISIONS				
ZONE	REV	DESCRIPTION	DATE	APPROVED
	2	REDRAWN TO AUTOCAD	08-26-09	



NOTE:
DASHED LINES INDICATE
FIELD CONNECTIONS.



APPROVALS	DATE	TITLE
DRAWN EJR	08-26-09	WIRING DIAGRAM FOR COMPRESSORS WITH STARTERS 3 PHASE
CHECKED DPH	08-26-09	
SCALE	SIZE	
SHEET 1 OF 1	C	
DWG NO. E-9631		REV 2

UNLESS OTHERWISE SPECIFIED
DIMENSIONS ARE IN INCHES
TOLERANCES ARE:
FRACTIONS DECIMALS ANGLES
±1/4 .XX ±.50 ±1/2°