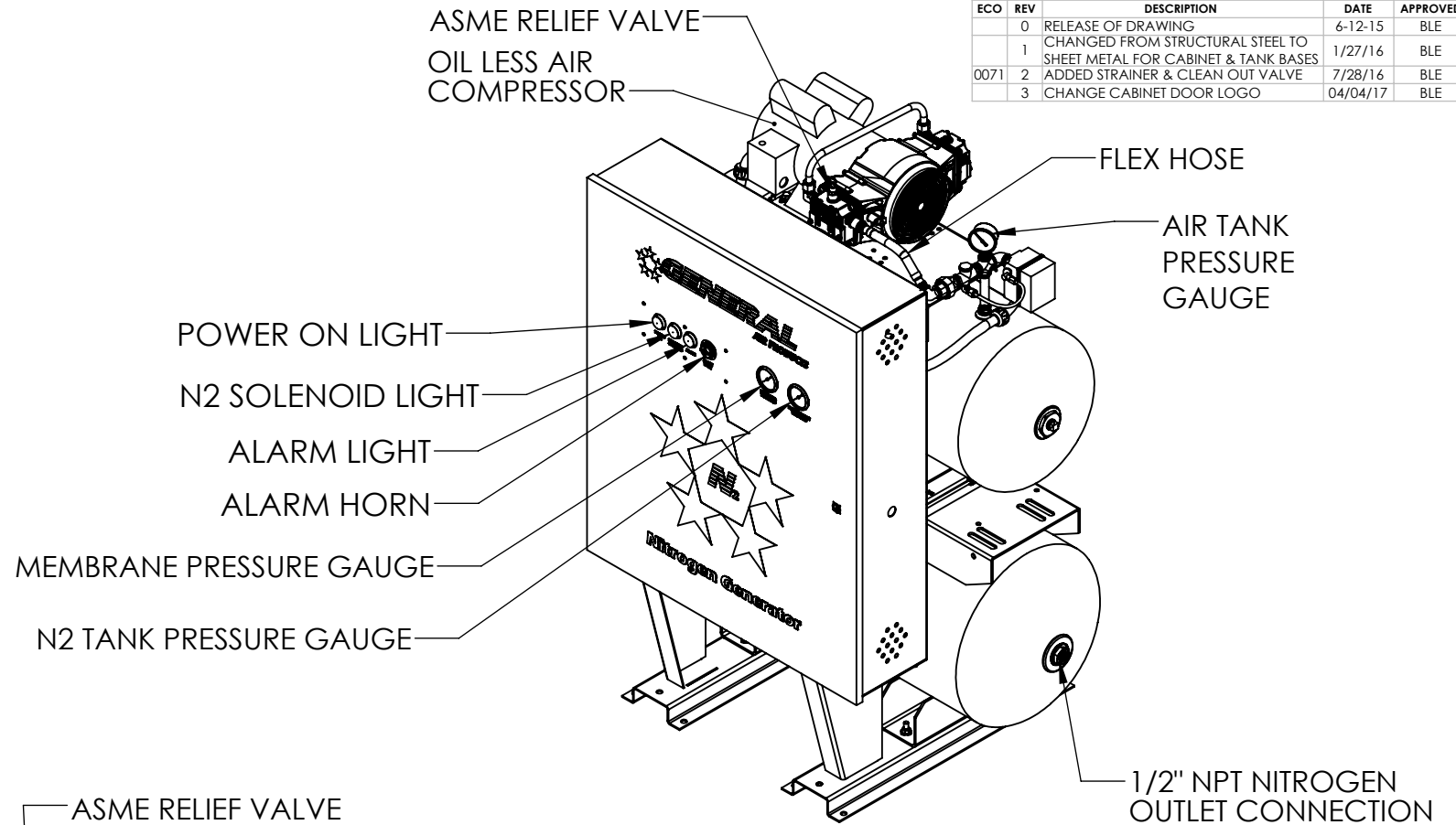
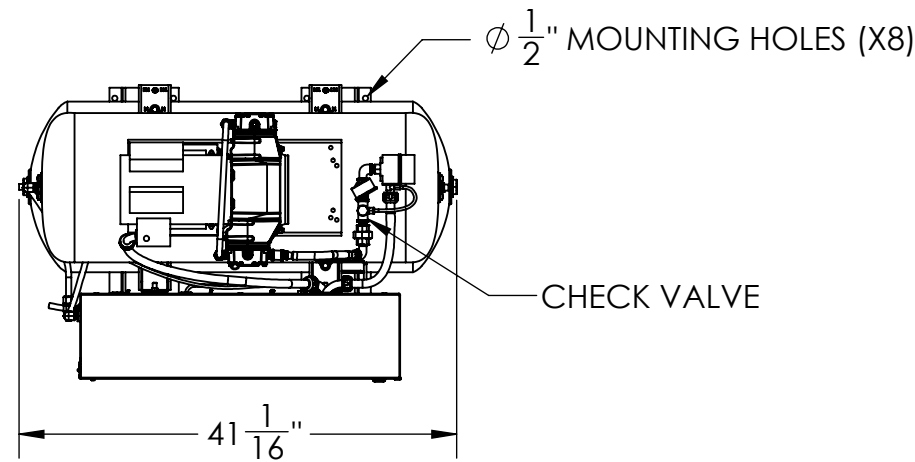


MODEL #	VOLTAGE	HP
NGP-500D-1A	115 VAC, 1 PH, 60 HZ	1
NGP-500D-2A	208 VAC, 1 PH, 60 HZ	1
NGP-500D-3A	230 VAC, 1 PH, 60 HZ	1
NGP-500D-2B	208 VAC, 3 PH, 60 HZ	1
NGP-500D-3B	230 VAC, 3 PH, 60 HZ	1
NGP-500D-4B	460 VAC, 3 PH, 60 HZ	1

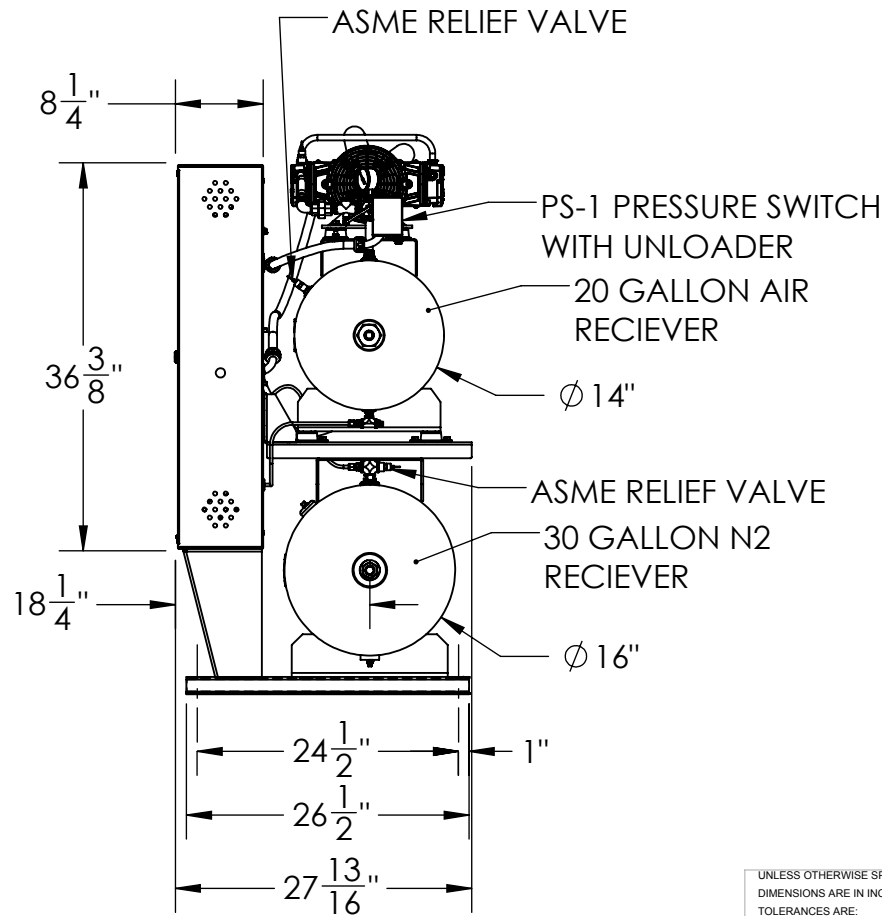
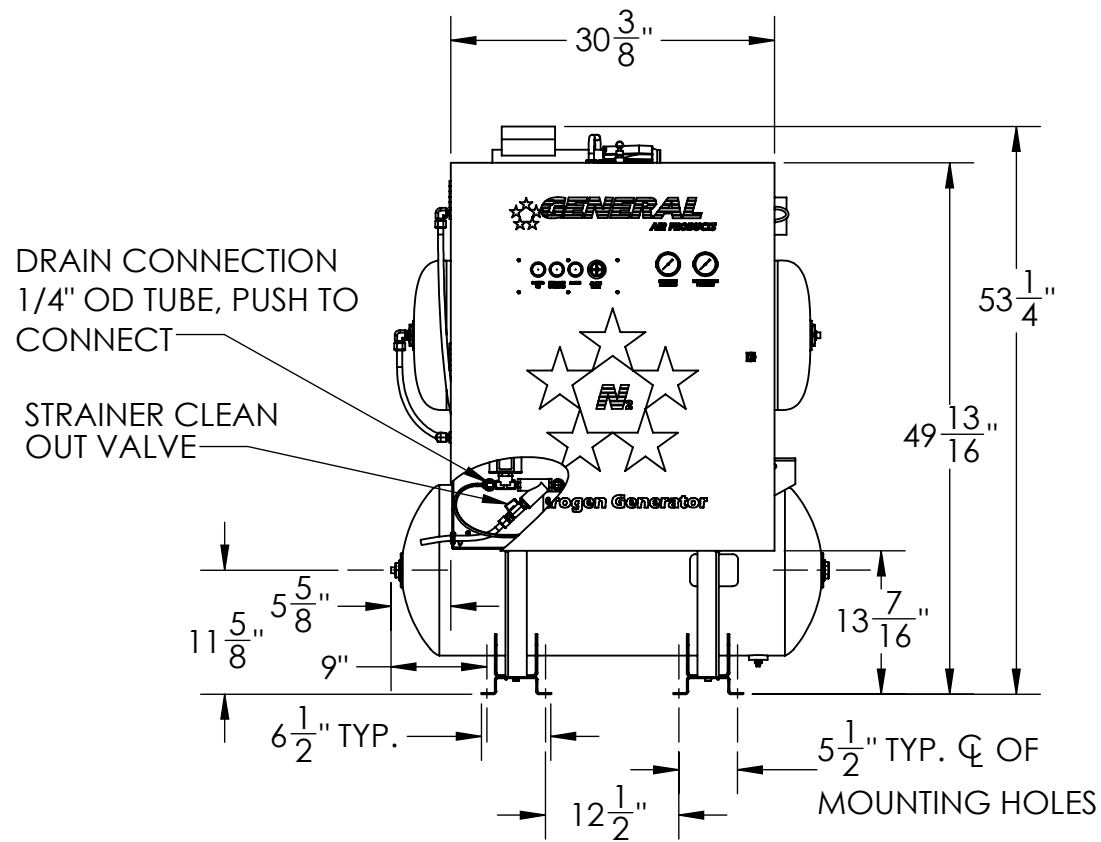
REVISIONS				
ECO	REV	DESCRIPTION	DATE	APPROVED
	0	RELEASE OF DRAWING	6-12-15	BLE
	1	CHANGED FROM STRUCTURAL STEEL TO SHEET METAL FOR CABINET & TANK BASES	1/27/16	BLE
0071	2	ADDED STRAINER & CLEAN OUT VALVE	7/28/16	BLE
	3	CHANGE CABINET DOOR LOGO	04/04/17	BLE

B



B

A



NOTES:

- DO NOT ALLOW FUMES TO ENTER COMPRESSOR INTAKE. SEE INSTRUCTION MANUAL.
- BOLT TO FIRM LEVEL BASE.
- USE BACKUP WRENCH WHEN MAKING CONNECTIONS OR PIPING DAMAGE MAY OCCUR.
- ALL CONNECTING PIPING MUST BE INDEPENDENTLY SUPPORTED AND NOT IMPART STRESS TO COMPRESSOR PACKAGE.
- ALL WIRING SHOULD BE TO NEC AND APPLICABLE LOCAL STANDARDS.
- DISCONNECT SWITCH SHOULD BE INSTALLED FOR COMPRESSOR.
- PIPE CONDENSATE TO APPROPRIATE DISPOSAL LOCATION.

A

N:\Work\Engineering\Drawing File\Nitrogen Generators\Non-Certified Versions\NGP 250D, 500D\NGP 500D\
G-215136 REV 3 GENERAL ARRANGEMENT NGP-500 Air and N2 Tank

UNLESS OTHERWISE SPECIFIED DIMENSIONS ARE IN INCHES TOLERANCES ARE:
FRACTIONS ±1" DECIMALS .XX±X ANGLES ±X°
THIS DRAWING AND ALL OF ITS CONTENTS ARE THE SOLE PROPERTY OF GENERAL AIR PRODUCTS, INC. DETAILS MAY CHANGE WITHOUT NOTICE. THE CONTENTS OF THIS DRAWING, MAY NOT BE REPRODUCED OR INCORPORATED IN WHOLE OR IN PART IN ANY EQUIPMENT, NOR THE MANUFACTURE OF ANY PARTS, WITHOUT WRITTEN CONSENT OF GENERAL AIR PRODUCTS, INCORPORATED.

APPROVALS					DATE		TITLE:	
DRAWN		EMD		6-12-15		 NITROGEN GENERATOR GENERAL ARRANGEMENT MODEL NGP-500D		
CHECKED		BLE		6-12-15				
SCALE		1:18		SIZE				
SHEET		1 OF 1		DWG. NO.				
B		G-215136		3				

4

3

2

1