

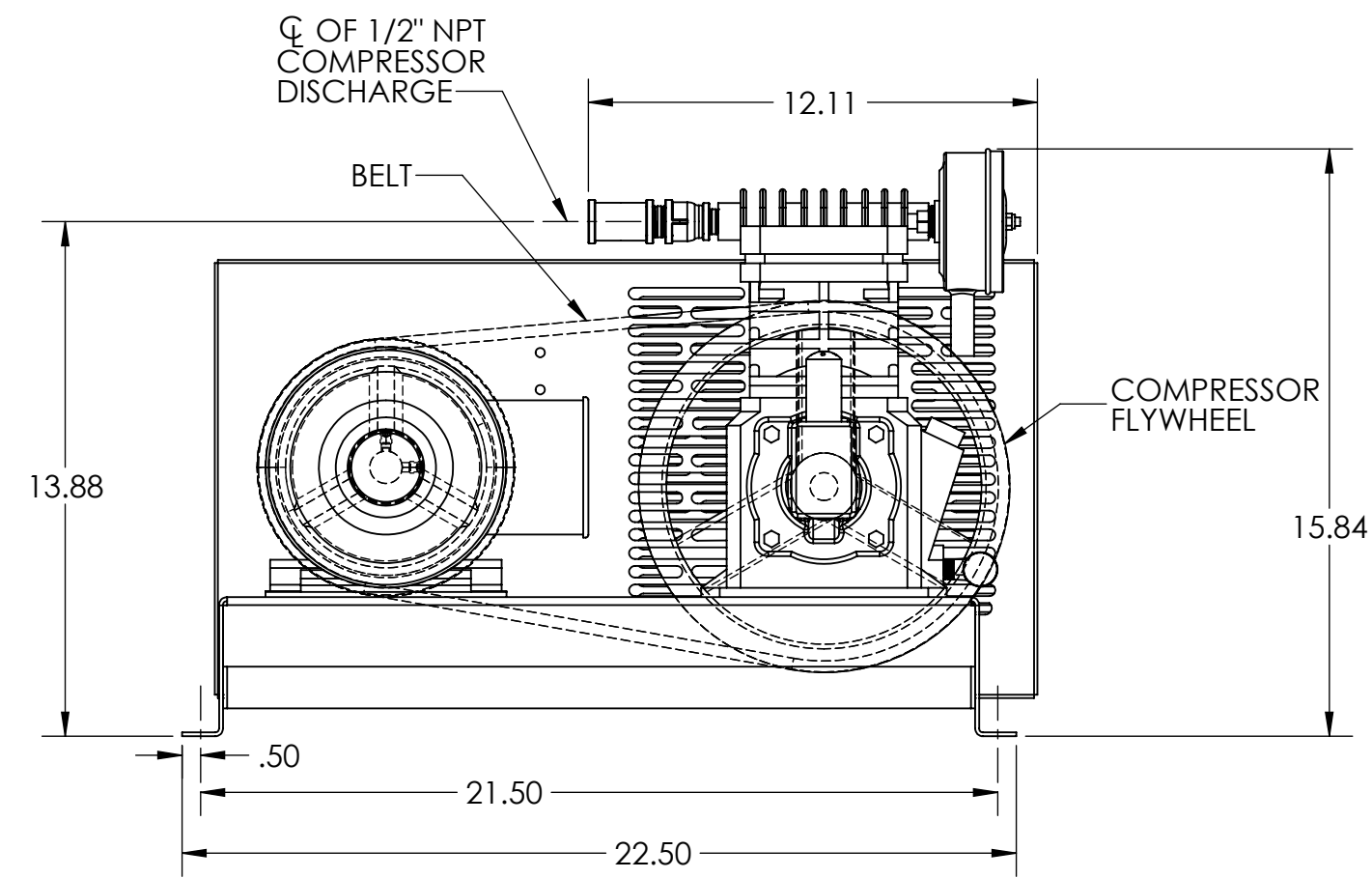
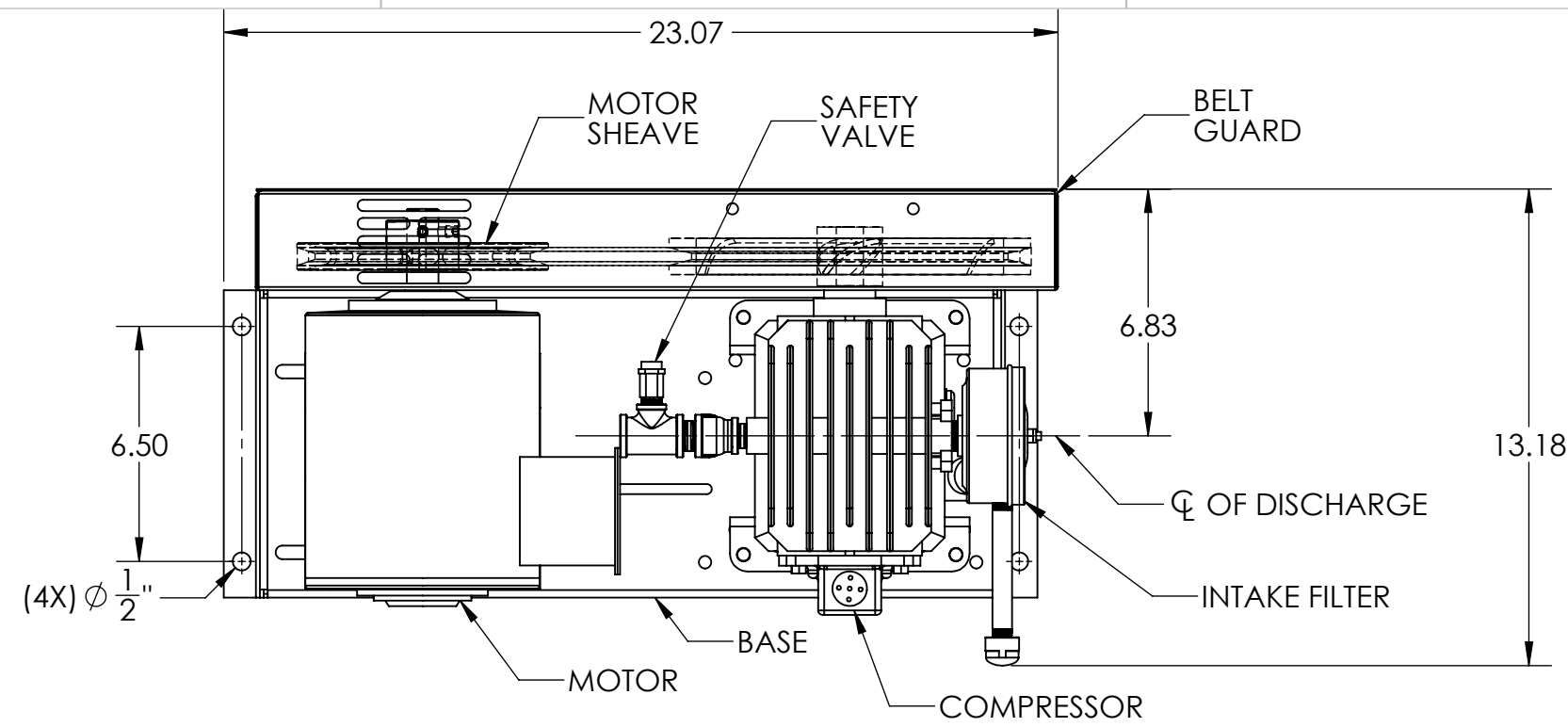
4

3

2

1

REVISIONS				
ECO	REV	DESCRIPTION	DATE	APPROVED
0149	3	REDRAWN IS SW, INSTALL SAFETY VALVE	10/02/17	DPH



- NOTES:
1. THIS DRAWING REPRESENTS MULTIPLE ASSEMBLIES. SEE TABLE BELOW FOR MODELS REPRESENTED.
  2. REFERENCE INDIVIDUAL PARTS LISTS FOR COMPONENT PART NUMBERS.
  3. REFERENCE INSTRUCTION MANUAL FOR INSTALLTION AND WIRING RECOMMENDATIONS.

MODEL NUMBER	VOLTAGE
L1300300A	208-230V/60HZ/1PH
L1300300A-50	220V/50HZ/1PH
L1300300B	208-230/460V/60HZ/3PH
L1300300B-50	190/380V/50HZ/3PH

N:\Work\Engineering\Drawing File\COMPRESSORS\BASE MOUNT LUBRICATED COMPRESSORS\  
G-200077 REV 3 GA L1300300 BASE MOUNT

UNLESS OTHERWISE SPECIFIED  
DIMENSIONS ARE IN INCHES  
TOLERANCES ARE:  
FRACTIONS DECIMALS ANGLES  
 $\pm 1/2$  .xx  $\pm .50$   $\pm 1^\circ$

THIS DRAWING AND ALL OF ITS CONTENTS ARE THE SOLE  
PROPERTY OF GENERAL AIR PRODUCTS, INC. DETAILS MAY  
CHANGE WITHOUT NOTICE. THE CONTENTS OF THIS  
DRAWING MAY NOT BE REPRODUCED OR INCORPORATED  
IN WHOLE OR IN PART IN ANY EQUIPMENT, NOR THE  
MANUFACTURE OF ANY PARTS, WITHOUT WRITTEN  
CONSENT OF GENERAL AIR PRODUCTS, INCORPORATED.

APPROVALS	DATE	TITLE:
DRAWN WLW	10/2/2017	<b>GENERAL ARRANGEMENT 3 HORSEPOWER BASE MOUNTED LUBRICATED COMPRESSORS</b>
CHECKED DPH	10/2/2017	
SCALE NONE	SIZE	DWG. NO. <b>G-200077</b>
SHEET 1 OF 1	<b>B</b>	REV <b>3</b>

4

3

2

1