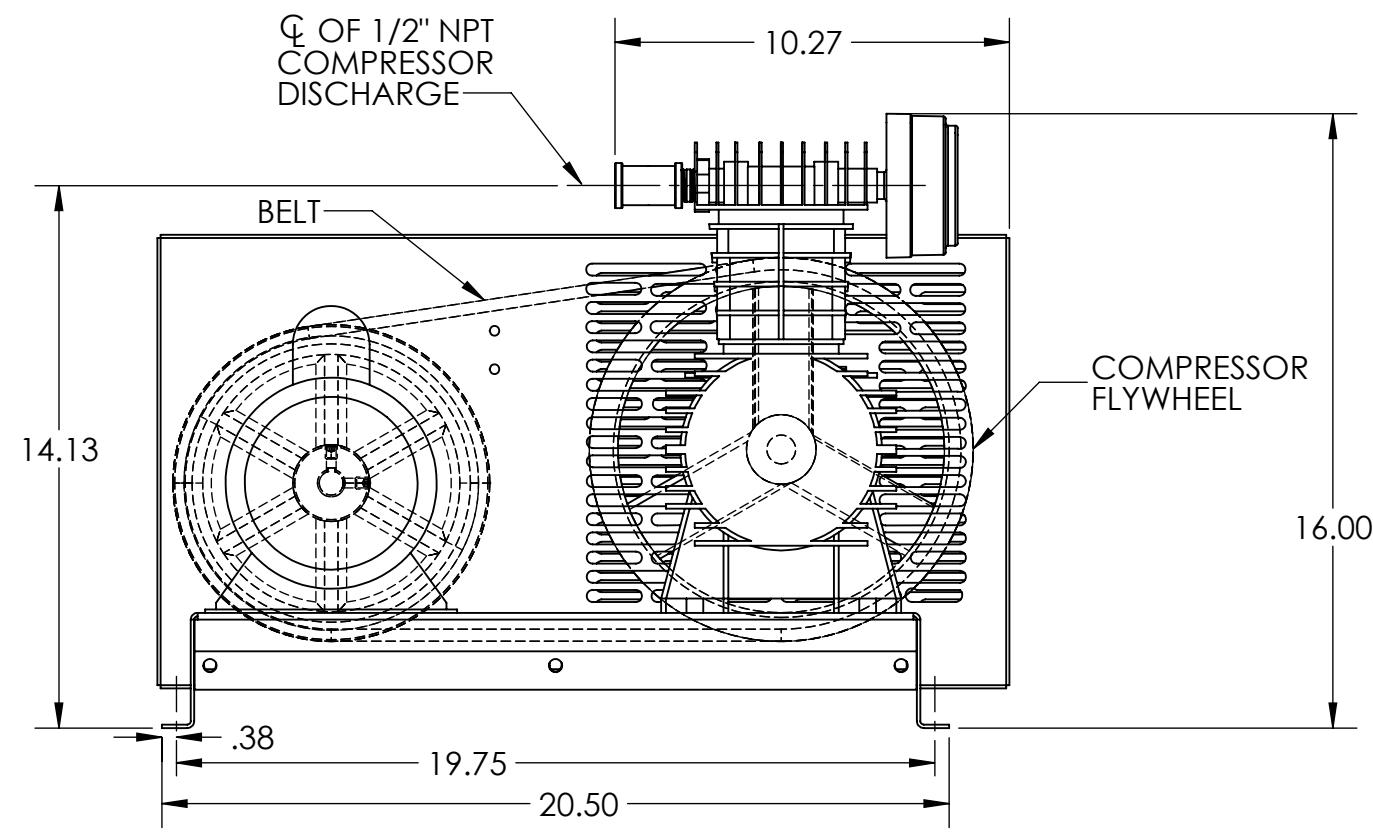
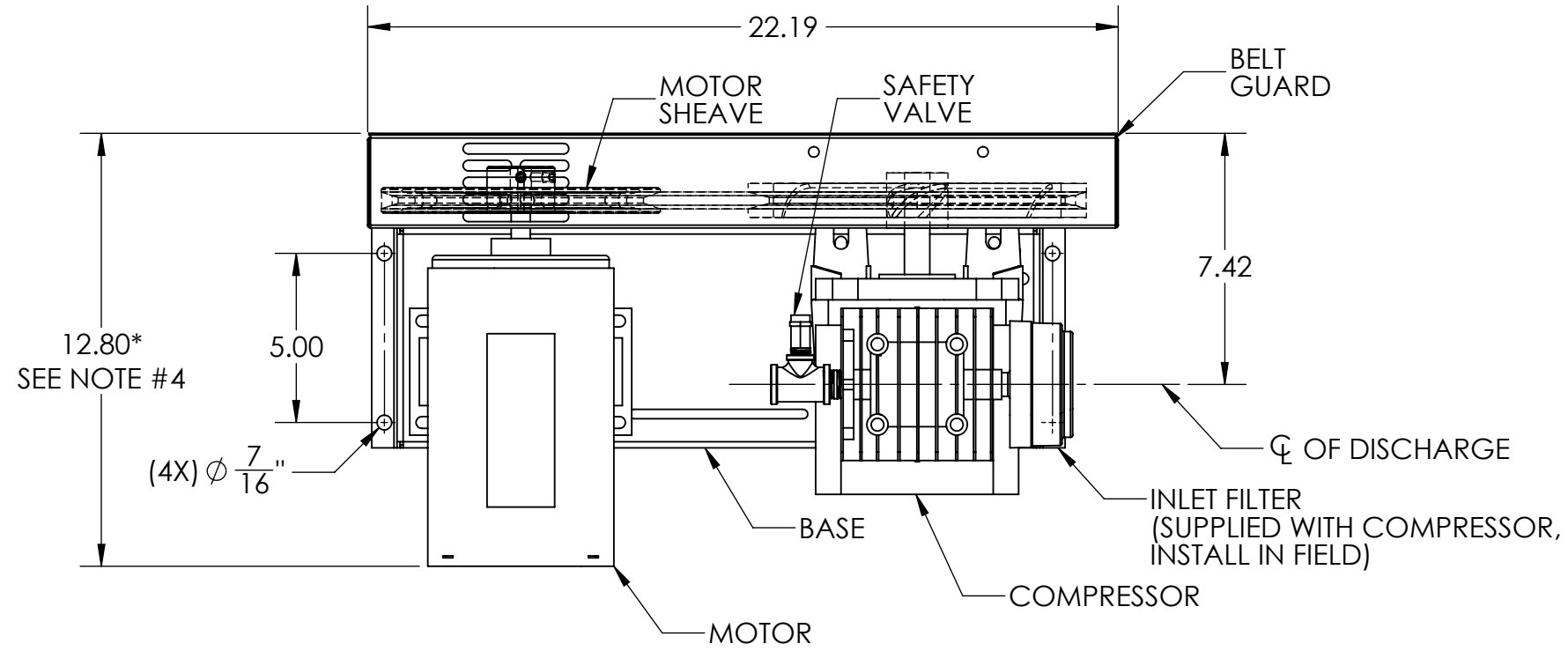


| REVISIONS | | | | |
|-----------|-----|-------------------------------------|----------|----------|
| ECO | REV | DESCRIPTION | DATE | APPROVED |
| 0149 | 3 | REDRAWN IS SW, INSTALL SAFETY VALVE | 10/02/17 | DPH |



- NOTES:
1. THIS DRAWING REPRESENTS MULTIPLE ASSEMBLIES. SEE TABLE BELOW FOR MODELS REPRESENTED.
 2. REFERENCE INDIVIDUAL PARTS LISTS FOR COMPONENT PART NUMBERS.
 3. REFERENCE INSTRUCTION MANUAL FOR INSTALLTION AND WIRING RECOMMENDATIONS.
 4. *DIMENSION MAY VARY BY MODEL NUMBER.

| MODEL NUMBER | VOLTAGE |
|--------------|-----------------------|
| L29050A | 115/208-230V/60HZ/1PH |
| L29050A-50 | 110/220V/50HZ/1PH |
| L29050B | 230/460V/60HZ/3PH |
| L29050B-50 | 190/380V/50HZ/3PH |

N:\Work\Engineering\Drawing File\COMPRESSORS\BASE MOUNT LUBRICATED COMPRESSORS\G-200071 REV 3 GA L29050 BASE MOUNT

UNLESS OTHERWISE SPECIFIED DIMENSIONS ARE IN INCHES TOLERANCES ARE:
 FRACTIONS ±1/2 DECIMALS .xx±.50 ANGLES ±1°

THIS DRAWING AND ALL OF ITS CONTENTS ARE THE SOLE PROPERTY OF GENERAL AIR PRODUCTS, INC. DETAILS MAY CHANGE WITHOUT NOTICE. THE CONTENTS OF THIS DRAWING MAY NOT BE REPRODUCED OR INCORPORATED IN WHOLE OR IN PART IN ANY EQUIPMENT, NOR THE MANUFACTURE OF ANY PARTS, WITHOUT WRITTEN CONSENT OF GENERAL AIR PRODUCTS, INCORPORATED.

| | | |
|-----------------|-----------|---|
| APPROVALS | DATE | TITLE: |
| DRAWN WLW | 10/2/2017 | GENERAL ARRANGEMENT 1/2 HORSEPOWER BASE MOUNTED LUBRICATED COMPRESSORS |
| CHECKED DPH | 10/2/2017 | |
| SCALE NONE | SIZE | DWG. NO. |
| SHEET 1 OF 1 | B | G-200071 |
| | | REV 3 |

B

B

A

A

4

3

2

1

4

3

2

1