

Technical Specifications and Drawings

Weight WM300/600	135/155 lbs
System Connection	1/2" Female NPT (on nitrogen tank)
Power Supply	Available in 115V or 230V 60 hz, and 220V 50 hz.
Outlet Pressure	60-75 PSI
Temperature Range	50°F (10°C) to 110°F (43°C)

NOMENCLATURE:

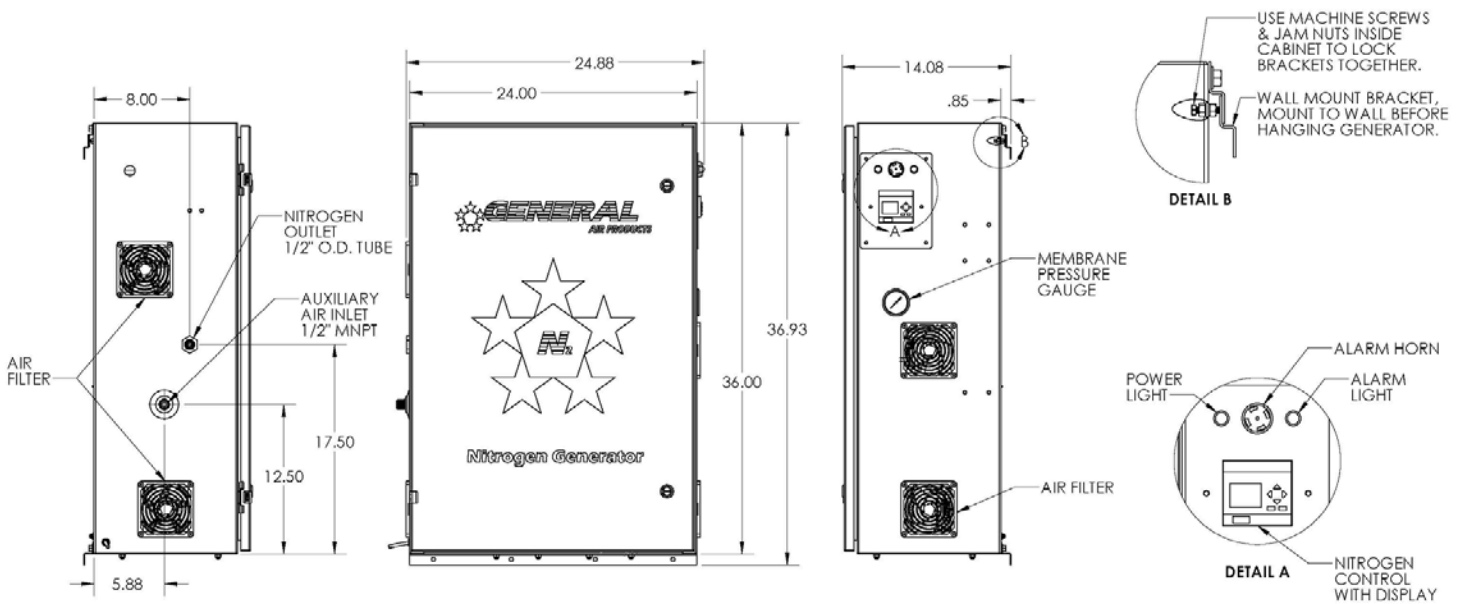
NGP-WMxxx-xA-x

MODEL

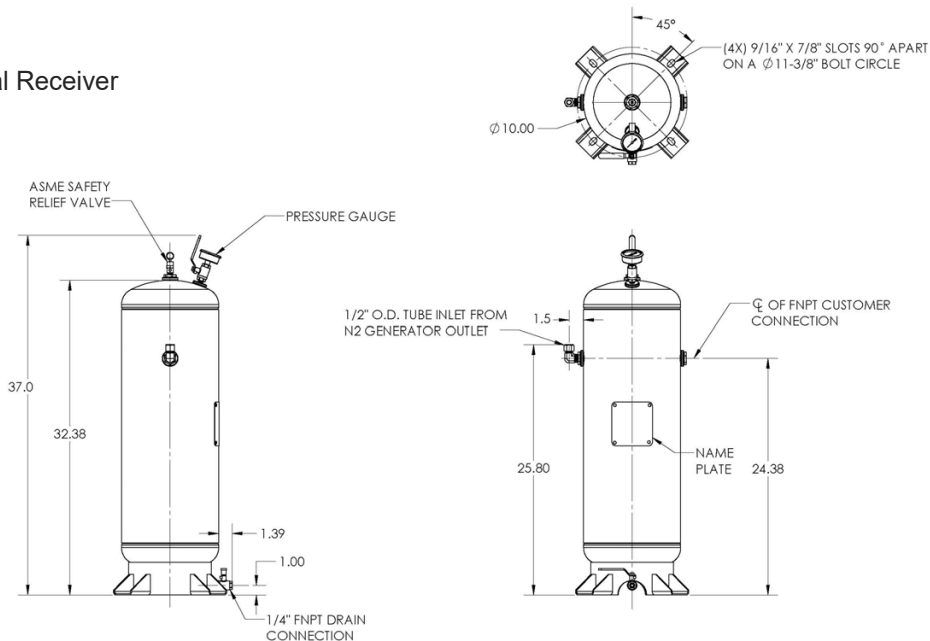
TANK CONFIGURATION
 -H, HORIZONTAL 10 GALLON
 -V, VERTICAL 10 GALLON

VOLTAGE CODE

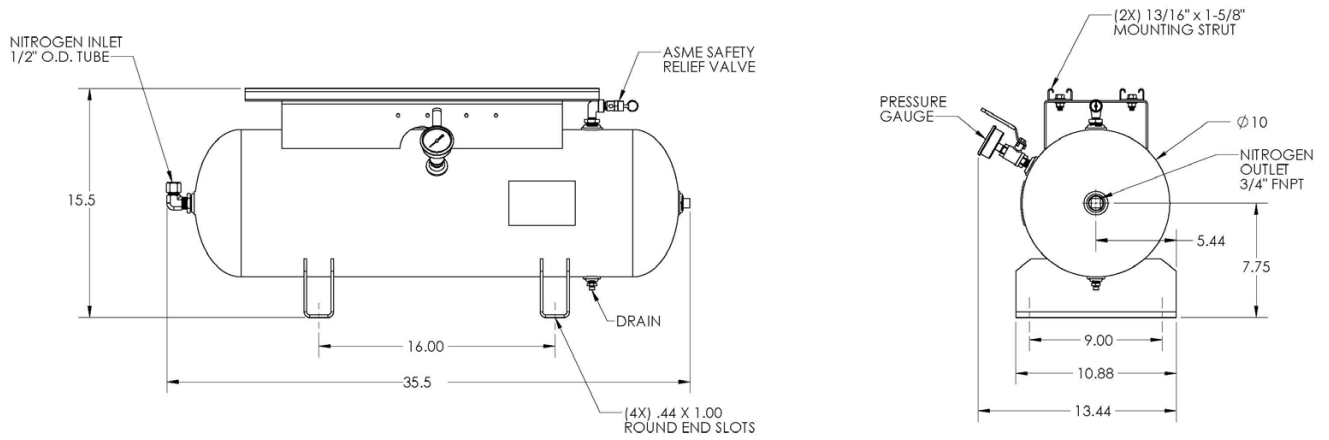
-1A, 115V/60HZ.
 -3A, 208-230V/60HZ.
 -6A, 220V/50HZ.



10 Gallon Vertical Receiver
 Weight: 40 lbs.



10 Gallon Horizontal Receiver Weight: 50 lbs.



Generator may be mounted to horizontal tank or floor using the supplied mounting struts

