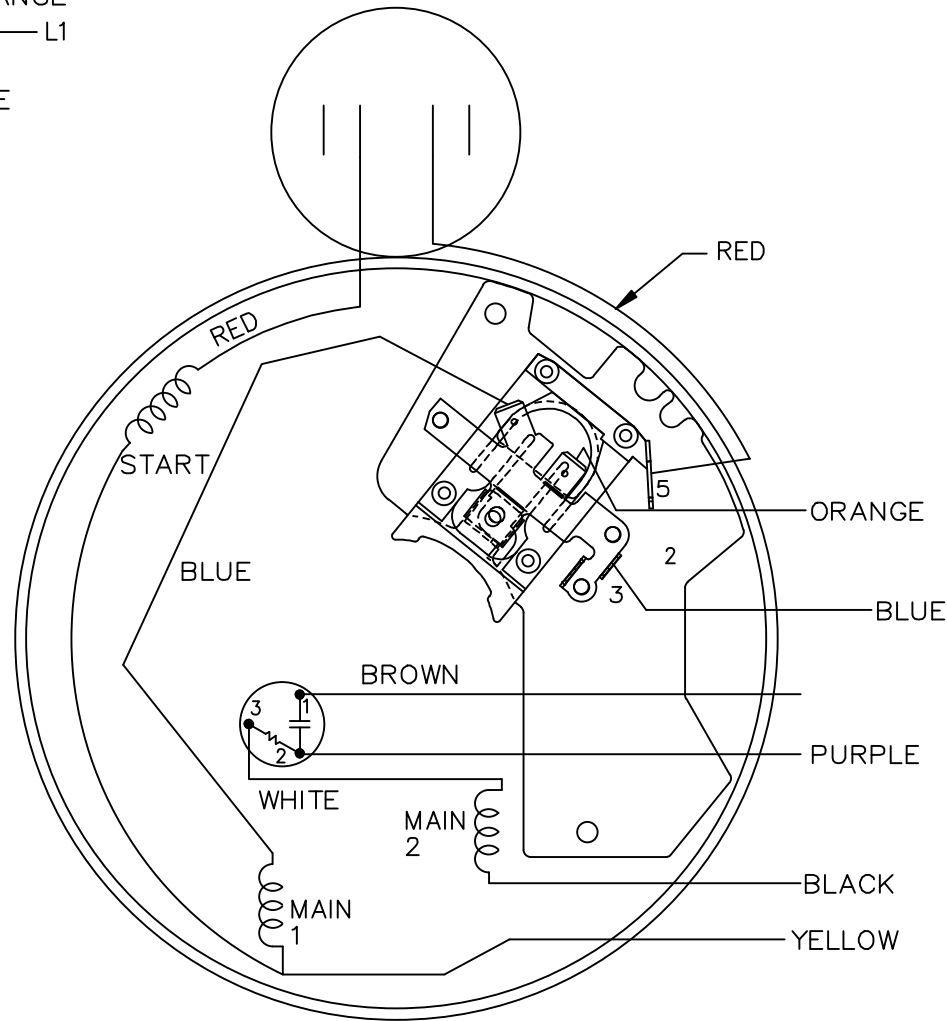
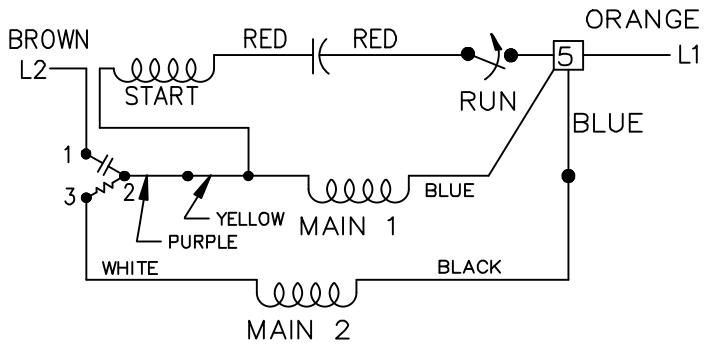


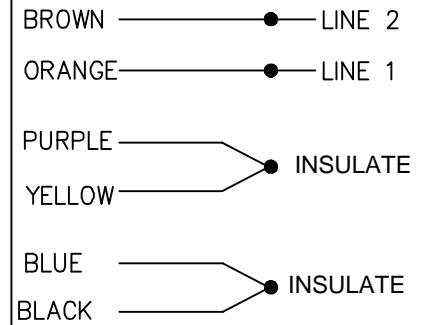
LOW VOLTAGE C.C.W.



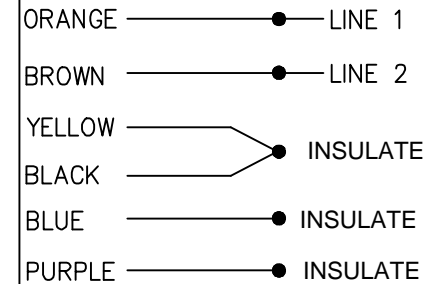
102005-139

DUAL VOLTAGE  
CAPACITOR START  
OVERLOAD FIXED  
ROTATION

LOW VOLT. CCW ROT.



HIGH VOLT. CCW ROT.



GAP-M50001

56C17D15569-ME101131

1/6 HP-1P-60Hz.

TOLERANCES  
UNLESS SPECIFIED

DEC.	INCHES
.X	±.1
.XX	±.02
.XXX	±.005
.XXXX	±.0005
ANG	±7'30"



TITLE CONNECTION DIAGRAM  
56/140 FR. - 2V - CCW - PRT.

MAT'L.

FINISH

DRAWN	VS 11/21/2011
CHK	VC 11/21/2011
APPD	
SCALE	5=8
REF	ME101131CD
FMF	
PREV	

NO.	REVISION	BY & DATE	CHK	ANG	FINISH
			RFP		CAD FILE 102005-139
			DIST	WP	

THIS DRAWING IN DESIGN AND DETAIL IS OUR PROPERTY AND MUST NOT BE USED EXCEPT IN CONNECTION WITH OUR WORK ALL RIGHTS OF DESIGN AND INVENTION ARE RESERVED THIS IS AN ELECTRONICALLY GENERATED DOCUMENT - DO NOT SCALE THIS PRINT

SIZE	DRAWING NO.	PAGE	OF	REV.
A	102005-139			