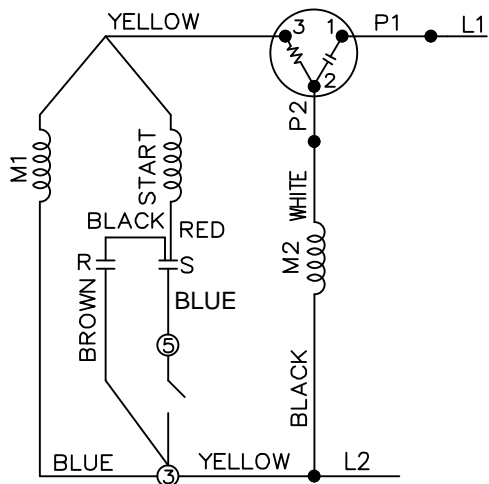
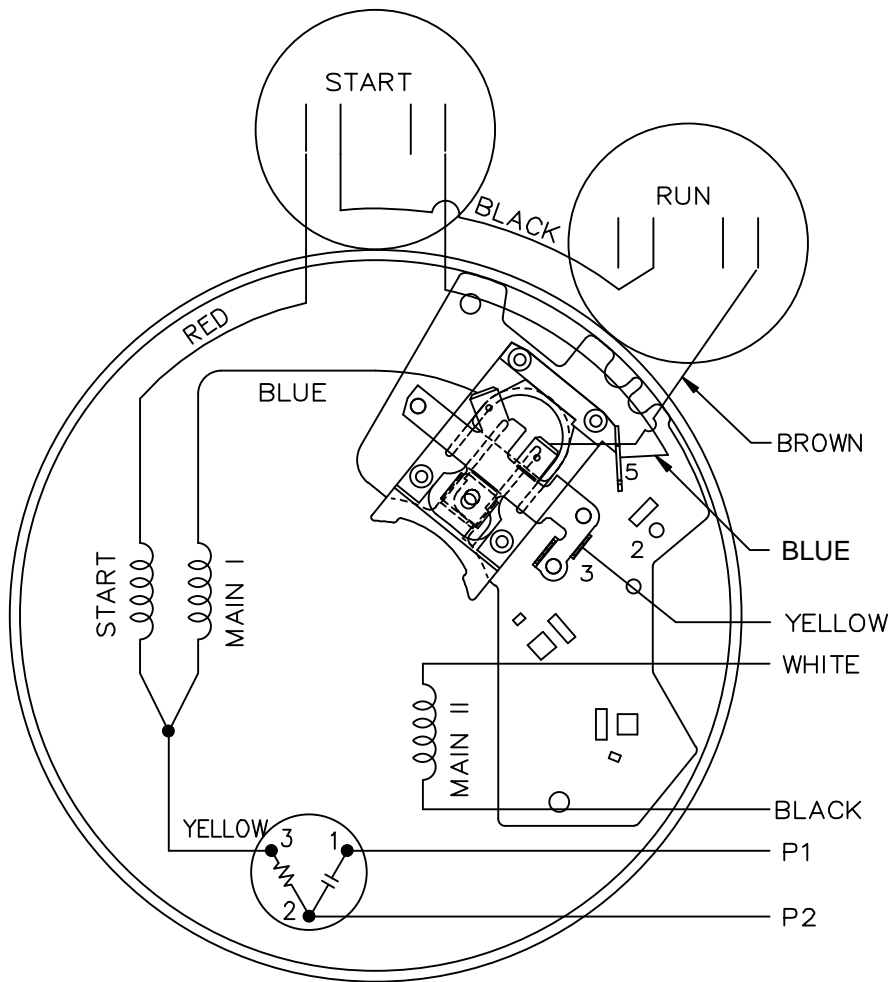
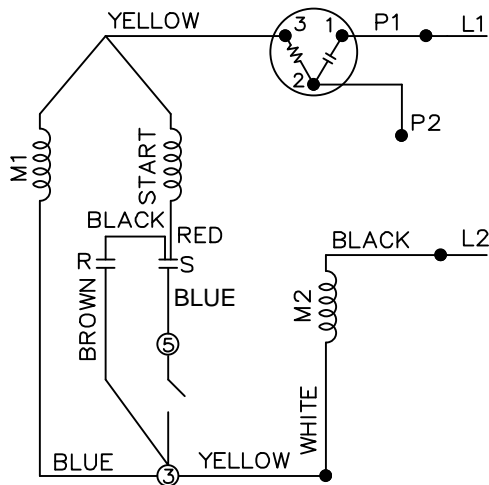


LOW VOLTAGE - C.C.W.



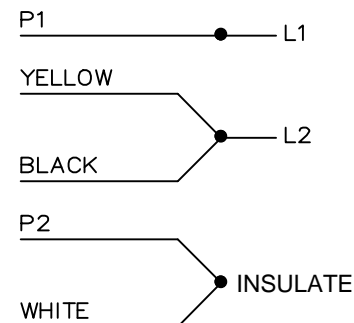
HIGH VOLTAGE - C.C.W.



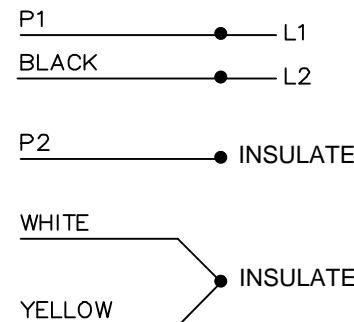
GAP-M50002
56B17D15522-ME101129
1/3HP-1P-60Hz.


DUAL VOLTAGE
CAPACITOR START
CAPACITOR RUN
OVERLOAD-FIXED ROTATION

LOW VOLTAGE C.C.W. ROTATION



HIGH VOLTAGE C.C.W. ROTATION



				TOLERANCES UNLESS SPECIFIED			DRAWN VS 11/17/2011			
				DEC.	INCHES		CHK			
				.X	±.1	TITLE CONNECTION DIAGRAM	APPD			
				.XX	±.02		SCALE 1=1			
				.XXX	±.005		REF ME101129CD			
				.XXXX	±.0005		FMF			
NO.	REVISION	BY & DATE	CHK	ANG	±7'30"	MAT'L.	FINISH	PREV		
THIS DRAWING IN DESIGN AND DETAIL IS OUR PROPERTY AND MUST NOT BE USED EXCEPT IN CONNECTION WITH OUR WORK ALL RIGHTS OF DESIGN AND INVENTION ARE RESERVED THIS IS AN ELECTRONICALLY GENERATED DOCUMENT - DO NOT SCALE THIS PRINT				RFP		CAD FILE 102006-145	SIZE A	DRAWING NO. 102006-145	PAGE OF 1	REV. 1
				DIST	WP					