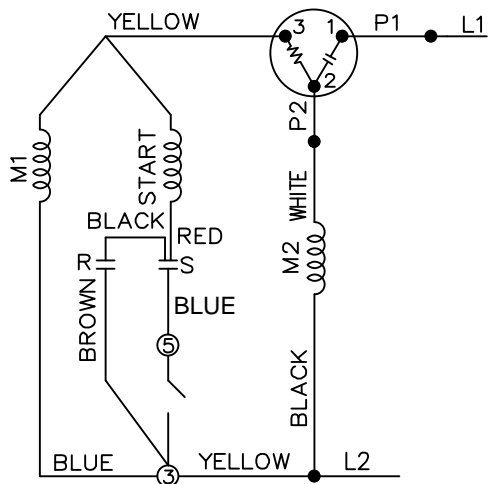
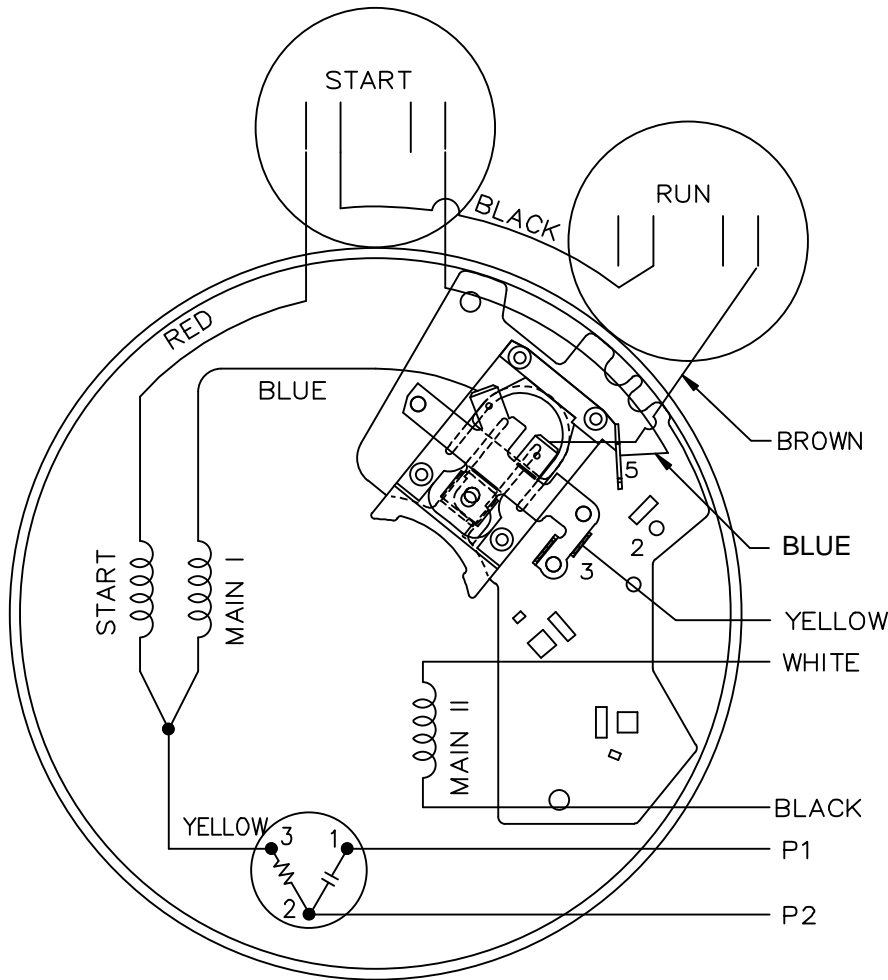
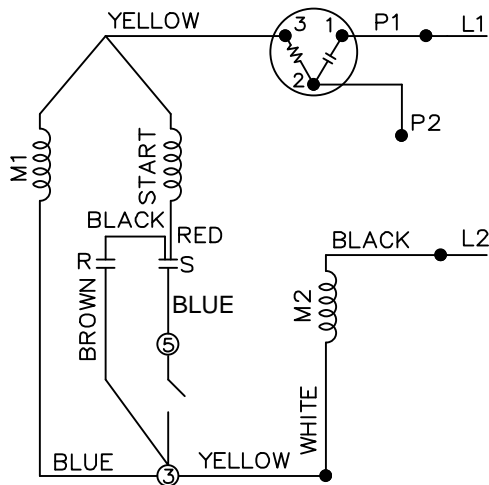


LOW VOLTAGE - C.C.W.



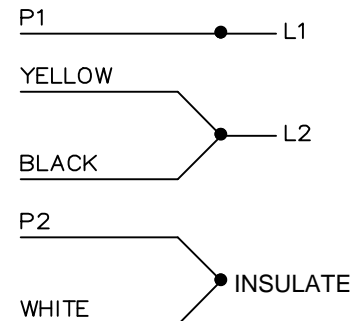
HIGH VOLTAGE - C.C.W.



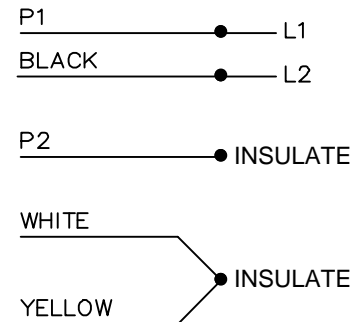
GAP-M50003
56B17D15524-ME101135
1/2HP-1P-60Hz.

DUAL VOLTAGE
CAPACITOR START
CAPACITOR RUN
OVERLOAD-FIXED ROTATION

LOW VOLTAGE C.C.W. ROTATION



HIGH VOLTAGE C.C.W. ROTATION



				TOLERANCES UNLESS SPECIFIED			DRAWN VS 11/17/2011			
				DEC.	INCHES		CHK			
				.X	±.1		APPD			
				.XX	±.02		SCALE 1=1			
				.XXX	±.005		REF ME101129CD			
				.XXX	±.0005	TITLE CONNECTION DIAGRAM	FMF			
				.XXXX	±.0005	MAT'L.	PREV			
NO.	REVISION	BY & DATE	CHK	ANG	±7'30"	FINISH	SIZE	DRAWING NO.	PAGE OF	REV.
			RFP			CAD FILE 102006-145	A	102006-145	1	1
			DIST	WP						

THIS DRAWING IN DESIGN AND DETAIL IS OUR PROPERTY AND MUST NOT BE USED EXCEPT IN CONNECTION WITH OUR WORK ALL RIGHTS OF DESIGN AND INVENTION ARE RESERVED THIS IS AN ELECTRONICALLY GENERATED DOCUMENT - DO NOT SCALE THIS PRINT