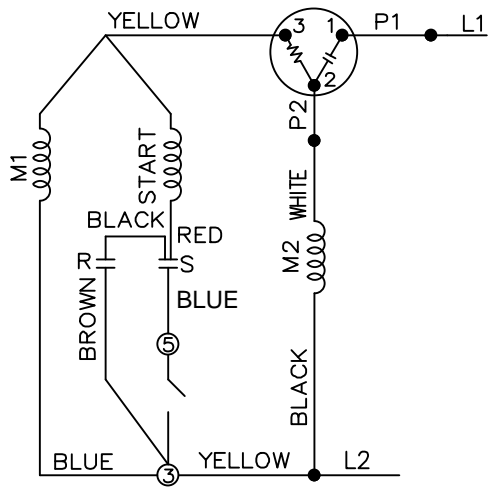
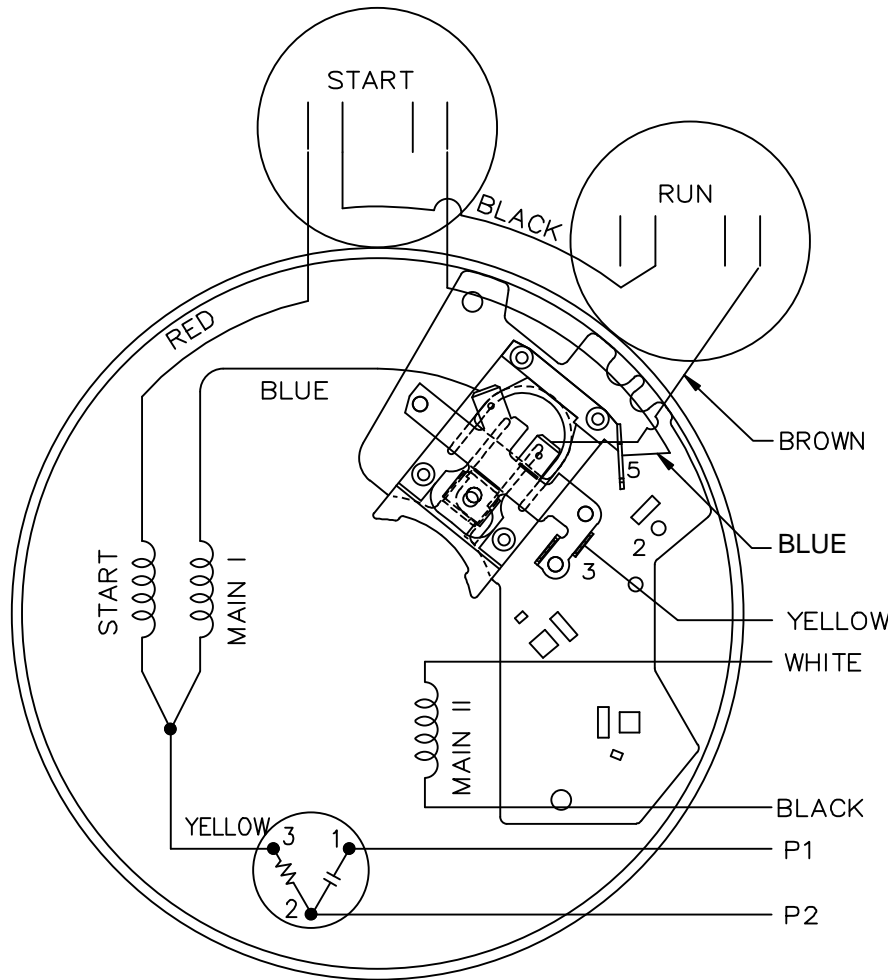
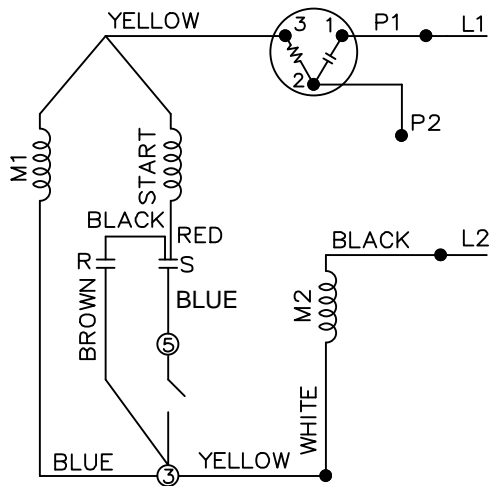


LOW VOLTAGE - C.C.W.



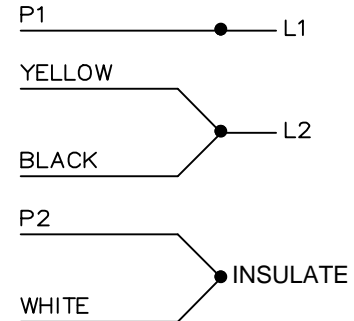
HIGH VOLTAGE - C.C.W.



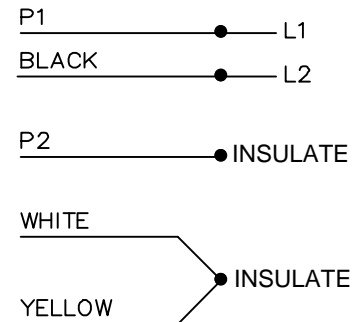
GAP-M50004
56B17D15527-ME111040
3/4HP-1P-60Hz.

DUAL VOLTAGE
CAPACITOR START
CAPACITOR RUN
OVERLOAD-FIXED ROTATION

LOW VOLTAGE C.C.W. ROTATION



HIGH VOLTAGE C.C.W. ROTATION



				TOLERANCES UNLESS SPECIFIED			DRAWN VS 11/17/2011		
				DEC.	INCHES		CHK		
				.X	±.1	TITLE CONNECTION DIAGRAM	APPD	SCALE 1=1	
				.XX	±.02		REF ME101129CD		
				.XXX	±.005		FMF		
				.XXXX	±.0005		PREV		
NO.	REVISION	BY & DATE	CHK	ANG	±7'30"	FINISH			
THIS DRAWING IN DESIGN AND DETAIL IS OUR PROPERTY AND MUST NOT BE USED EXCEPT IN CONNECTION WITH OUR WORK ALL RIGHTS OF DESIGN AND INVENTION ARE RESERVED THIS IS AN ELECTRONICALLY GENERATED DOCUMENT - DO NOT SCALE THIS PRINT			RFP	CAD FILE 102006-145		SIZE A	DRAWING NO. 102006-145	PAGE OF 1	REV. 1
			DIST	WP					