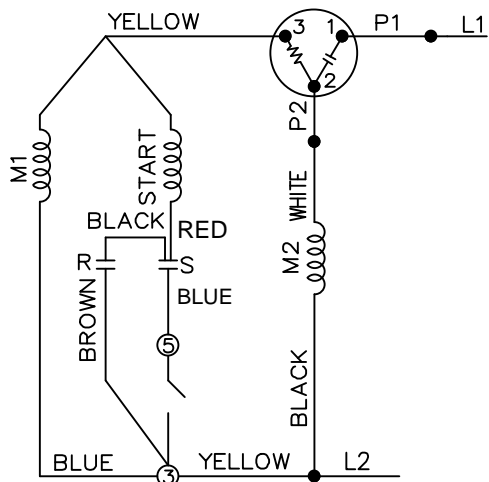
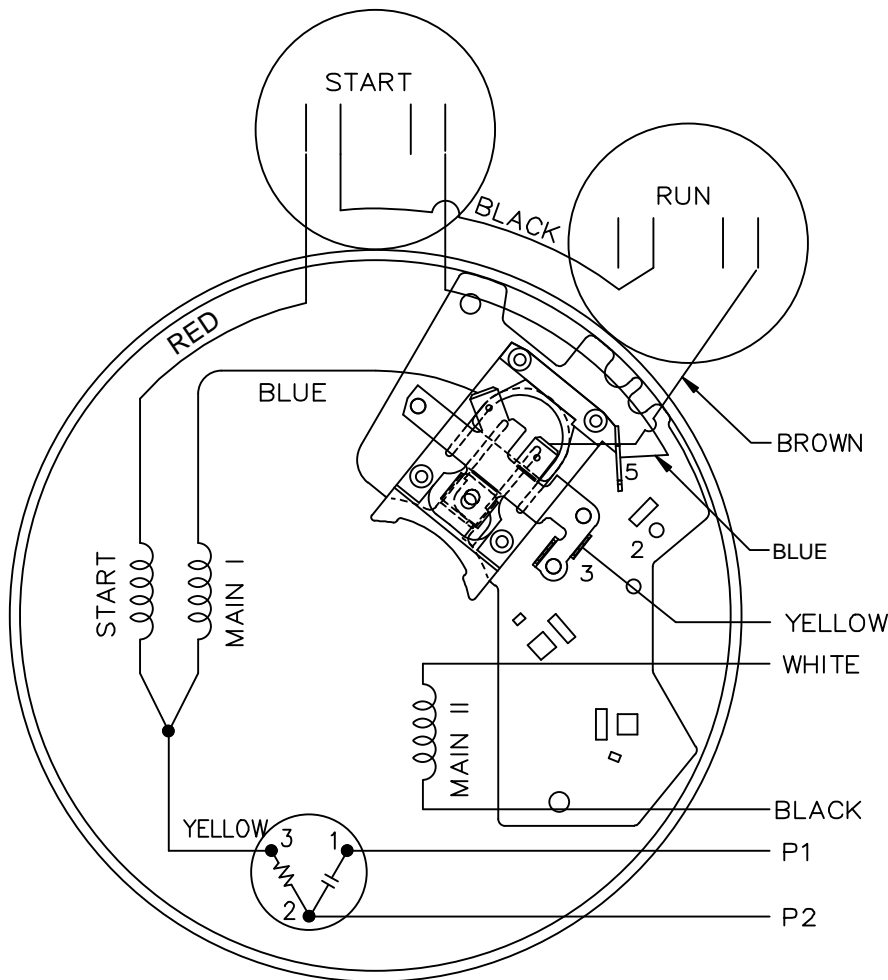
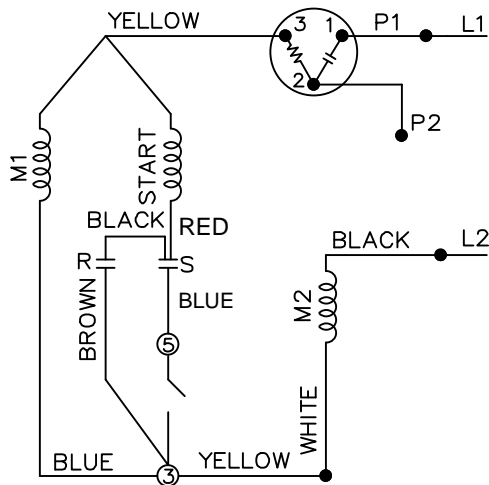


LOW VOLTAGE - C.C.W.



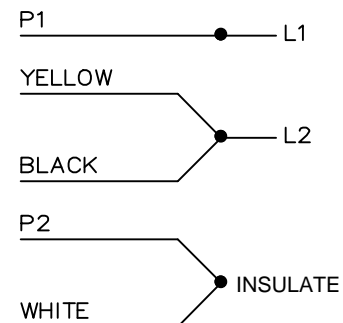
HIGH VOLTAGE - C.C.W.



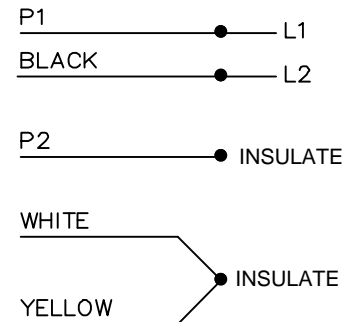
GAP-M50005
56B17D15525-ME111702A
1HP-1P-60Hz.

DUAL VOLTAGE
CAPACITOR START
CAPACITOR RUN
OVERLOAD-FIXED ROTATION

LOW VOLTAGE C.C.W. ROTATION



HIGH VOLTAGE C.C.W. ROTATION



TOLERANCES UNLESS SPECIFIED

DEC.	INCHES
.X	±.1
.XX	±.02
.XXX	±.005
.XXXX	±.0005
ANG	±7'30"



TITLE CONNECTION DIAGRAM

DRAWN	VS 11/17/2011
CHK	
APPD	
SCALE	1=1
REF	ME101129CD
FMF	
PREV	

NO.	REVISION	BY & DATE	CHK	ANG	FINISH

THIS DRAWING IN DESIGN AND DETAIL IS OUR PROPERTY AND MUST NOT BE USED EXCEPT IN CONNECTION WITH OUR WORK ALL RIGHTS OF DESIGN AND INVENTION ARE RESERVED THIS IS AN ELECTRONICALLY GENERATED DOCUMENT - DO NOT SCALE THIS PRINT

RFP
DIST WP

CAD FILE 102006-145

SIZE	DRAWING NO.	PAGE	OF	REV.
A	102006-145			1