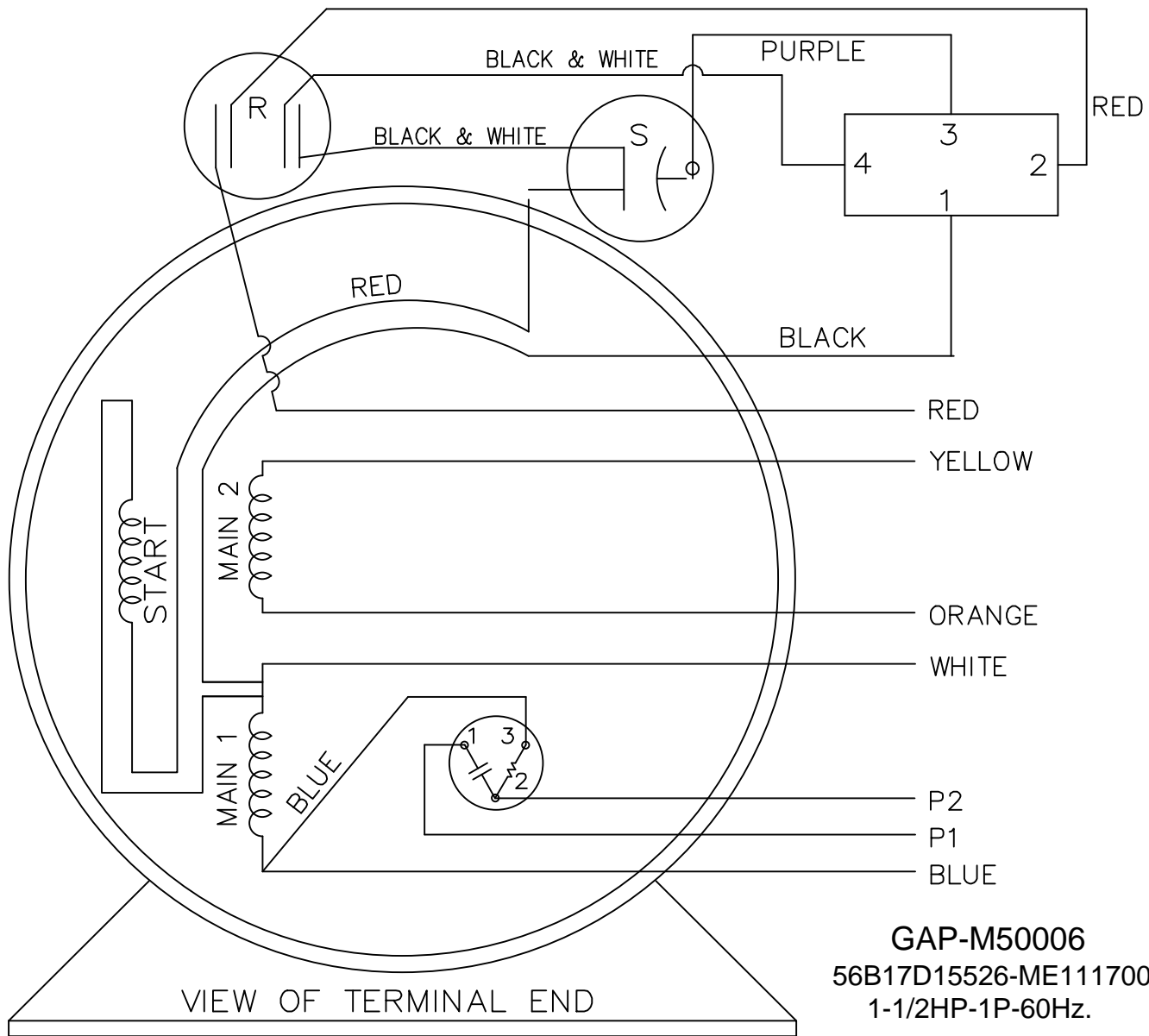
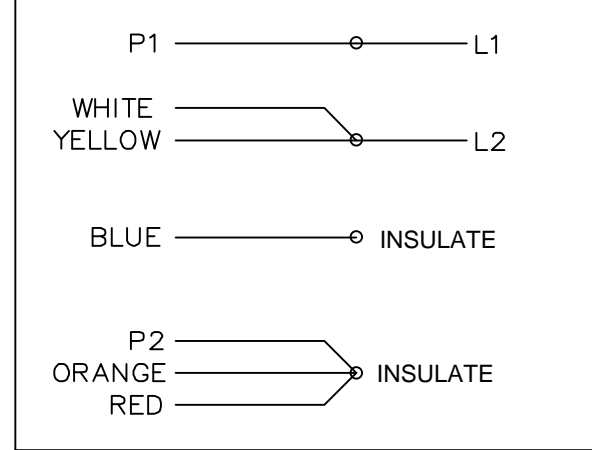


102006-146

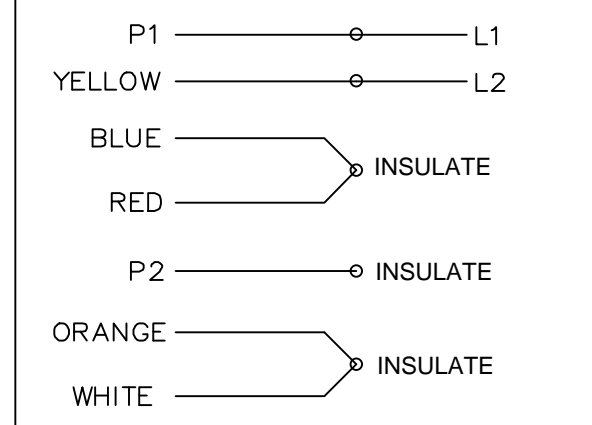


DUAL VOLTAGE  
CAPACITOR START  
CAPACITOR RUN  
OVERLOAD FIXED ROTATION

LOW VOLT. CCW ROT.



HIGH VOLT. CCW ROT.



**GAP-M50006**  
56B17D15526-ME111700  
1-1/2HP-1P-60Hz.

		TOLERANCES UNLESS SPECIFIED				DRAWN PN 9/29/2010			
		DEC.	INCHES			CHK VS 9/29/2010			
		.X	±0	TITLE CONNECTION DIAGRAM CAP START CAP RUN		APPD			
		.XX	±0			SCALE			
		.XXX	±0			REF ME101132CD			
		.XXXX	±0			FMF			
NO.	REVISION	BY & DATE	CHK	ANG	±0	FINISH	PREV		
THIS DRAWING IN DESIGN AND DETAIL IS OUR PROPERTY AND MUST NOT BE USED EXCEPT IN CONNECTION WITH OUR WORK ALL RIGHTS OF DESIGN AND INVENTION ARE RESERVED THIS IS AN ELECTRONICALLY GENERATED DOCUMENT - DO NOT SCALE THIS PRINT			RFP			CAD FILE 102006-146	SIZE A	DRAWING NO. 102006-146	REV.
			DIST						