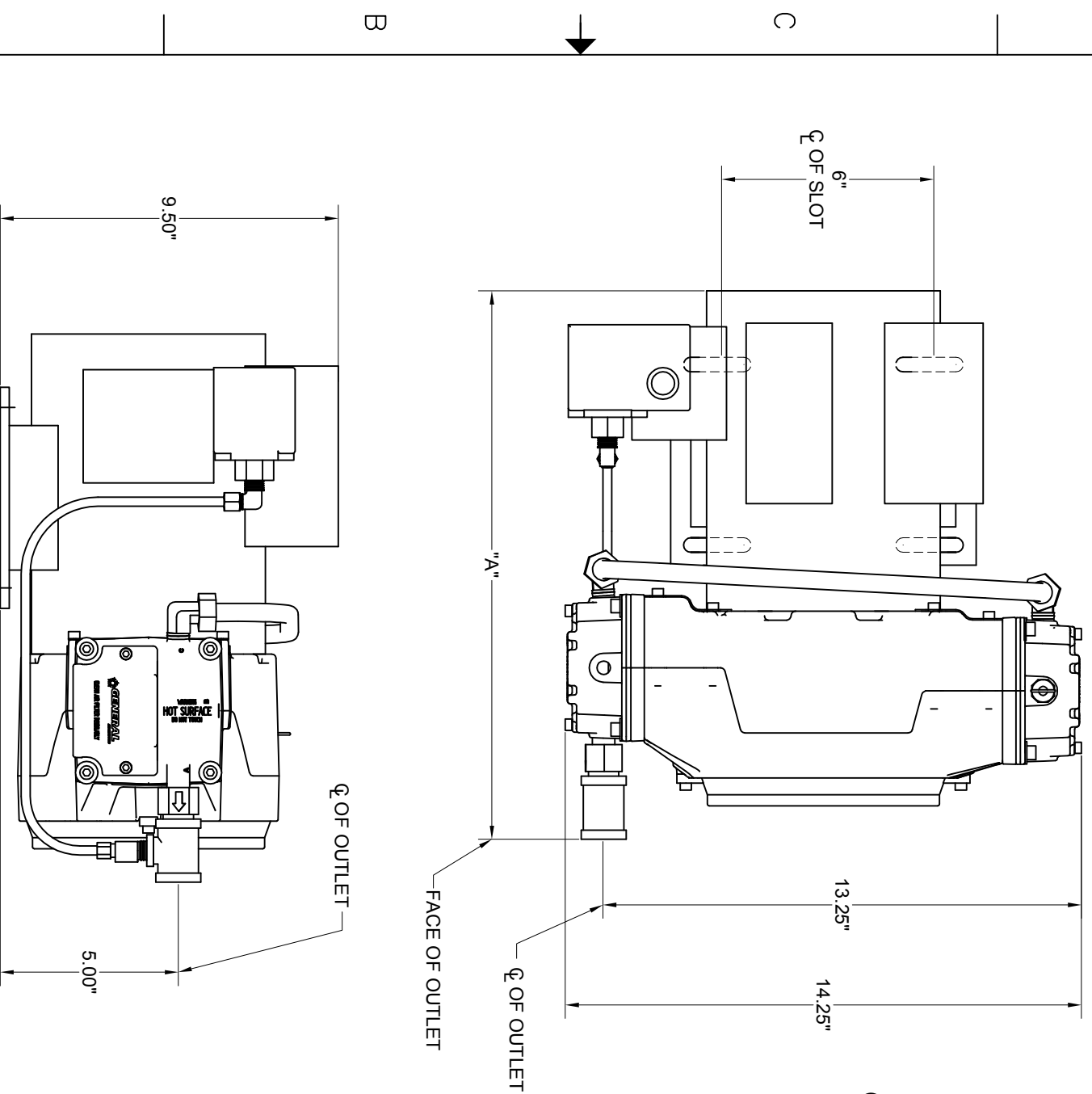
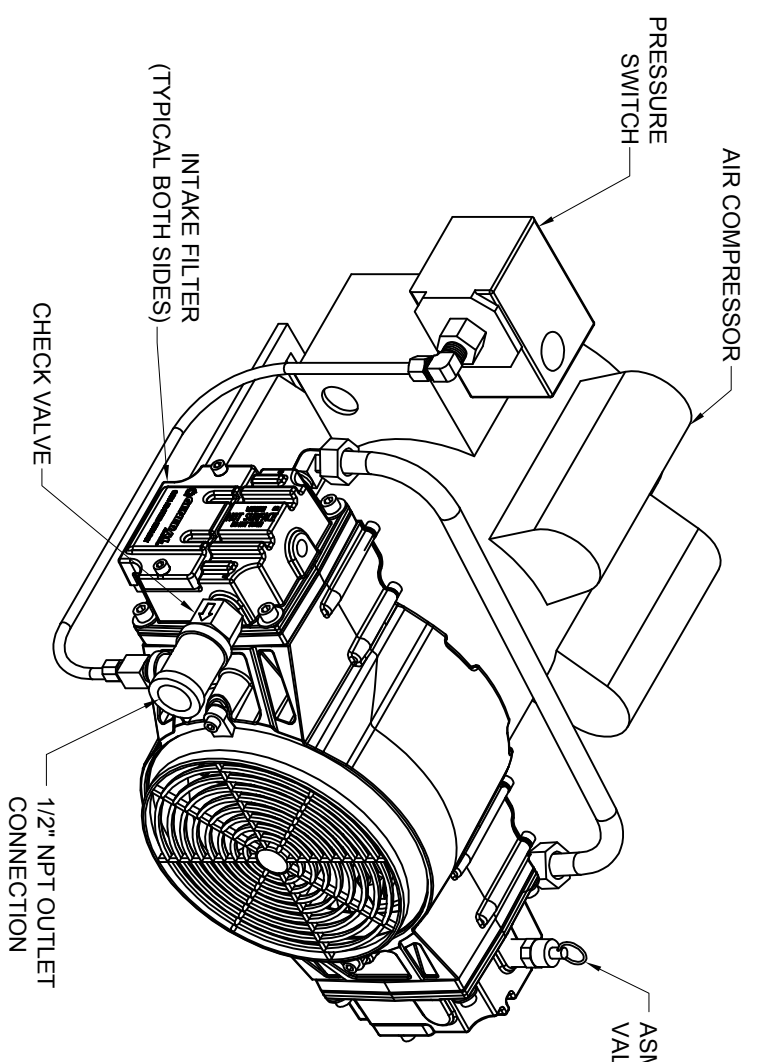


ZONE	REV	DESCRIPTION	DATE	APPROVED
	0	RELEASED ON ECN#0121	8-25-14	RM
	1	RELEASED ON ECN#0144	1-21-15	RCL



MODEL	MOTOR	VOLTAGE	PRESSURE SWITCH SETTINGS		RELIEF VALVE	DIM "A"	NET WEIGHT	REBUILD KIT #		
			ON	OFF						
OL36550AC	1/2 HP	115/208-230V/1PH/60HZ	27 TO 30 PSIG	40 TO 44 PSIG	75 PSIG	15.25	38 lbs.	OLC-RK		
OL86050AC-LP		115/208-230V/1PH/60HZ	13 PSIG	18 PSIG	75 PSIG	15.25				
OL36550AC-HP		115/208-230V/1PH/60HZ	80 PSIG	100 PSIG	125 PSIG	15.25				
OL36550BC		208-230/460V/3PH/60HZ	27 TO 30 PSIG	40 TO 44 PSIG	75 PSIG	15.25				
OL114056AC-50		220-240V/1PH/50HZ	27 TO 30 PSIG	40 TO 44 PSIG	75 PSIG	15.75				
OL114056AC-LP-50		220-240V/1PH/50HZ	13 PSIG	18 PSIG	75 PSIG	15.75				
OL36575AC-HP	3/4 HP	115/208-230V/1PH/60HZ	80 PSIG	100 PSIG	125 PSIG	16.50			48 LBS.	
OL36575BC-HP		208-230/460V/3PH/60HZ	80 PSIG	100 PSIG	125 PSIG	16.50				
OL43075AC		115/208-230V/1PH/60HZ	27 TO 30 PSIG	40 TO 44 PSIG	75 PSIG	16.50				
OL43075BC		208-230/460V/3PH/60HZ	27 TO 30 PSIG	40 TO 44 PSIG	75 PSIG	16.50				
OL99075AC-LP		115/208-230V/1PH/60HZ	13 PSIG	18 PSIG	75 PSIG	16.50				
OL135075AC-50		220-240V/1PH/50HZ	27 TO 30 PSIG	40 TO 44 PSIG	75 PSIG	16.50				
OL135075AC-LP-50		220-240V/1PH/50HZ	13 PSIG	18 PSIG	75 PSIG	16.50				
OL135075BC-50		190/220/380-415V/3PH/50HZ	27 TO 30 PSIG	40 TO 44 PSIG	75 PSIG	18.00				
OL114075BC-50		190/220/380-415V/3PH/50HZ	80 PSIG	100 PSIG	125 PSIG	18.00				
OL135075BC-HP-50		190/220/380-415V/3PH/50HZ	27 TO 30 PSIG	40 TO 44 PSIG	75 PSIG	18.00				
OL430100AC-HP	1HP	115/208-230V/1PH/60HZ	80 PSIG	100 PSIG	125 PSIG	18.00	48 LBS.			
OL430100BC-HP		190/220/380-415V/3PH/50HZ	80 PSIG	100 PSIG	125 PSIG	18.00				
OL615100AC		208-230/460V/3PH/60HZ	80 PSIG	100 PSIG	125 PSIG	16.25"				
OL615100BC		208-230/460V/3PH/60HZ	27 TO 30 PSIG	40 TO 44 PSIG	75 PSIG	16.25"				
OL550100AC-HP		115/208-230V/1PH/60HZ	80 PSIG	100 PSIG	125 PSIG	16.25"				
OL550100BC-HP		208-230/460V/3PH/60HZ	80 PSIG	100 PSIG	125 PSIG	16.25"				
OL1965120AC-50		220-240V/1PH/50HZ	27 TO 30 PSIG	40 TO 44 PSIG	75 PSIG	16.75"				
OL1965120BC-50		190/220/380-415V/3PH/50HZ	27 TO 30 PSIG	40 TO 44 PSIG	75 PSIG	17.75"				
OL1965120BC-HP-50		190/220/380-415V/3PH/50HZ	80 PSIG	100 PSIG	125 PSIG	17.75"				

* REBUILD KIT (OLC-RK) CONSISTS OF REPLACEMENT CYLINDER, CUP, AND INTAKE FILTER.

- NOTES:
1. COMPRESSOR APPEARANCE MAY VARY.
 2. DIMENSIONS ARE SUBJECT TO CHANGE WITHOUT NOTICE.
 3. ALL PIPING MUST BE INDEPENDENTLY SUPPORTED TO AVOID ANY UNDO STRESS ON COMPRESSOR HEAD.

GENERAL
AIR PRODUCTS

GENERAL ARRANGEMENT
2 CYLINDER OIL LESS FIRE PROTECTION
COMPRESSOR, RISER MOUNT

APPROVALS	DATE	TITLE
DRAWN	08/25/14	GENERAL ARRANGEMENT
CHECKED	08/25/14	2 CYLINDER OIL LESS FIRE PROTECTION
SCALE	SIZE	COMPRESSOR, RISER MOUNT
SHEET 1/1	DWG. NO. G-214211	REV 1