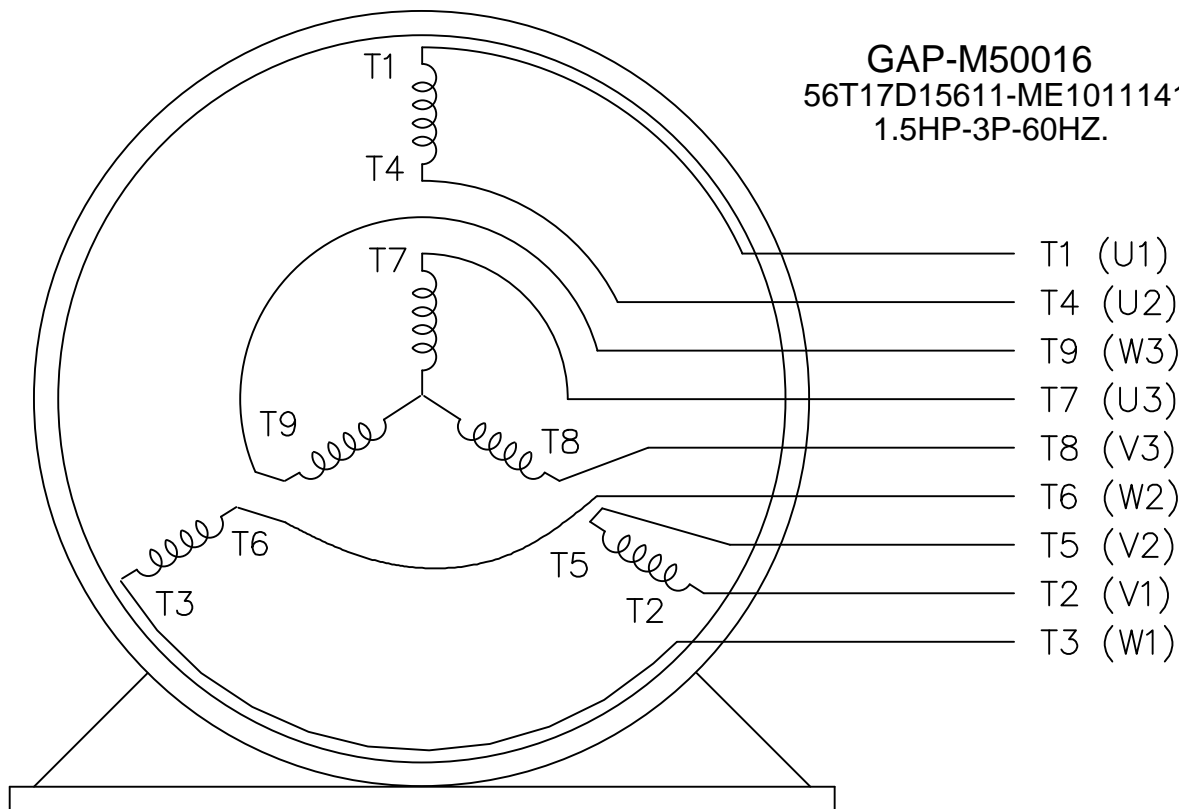
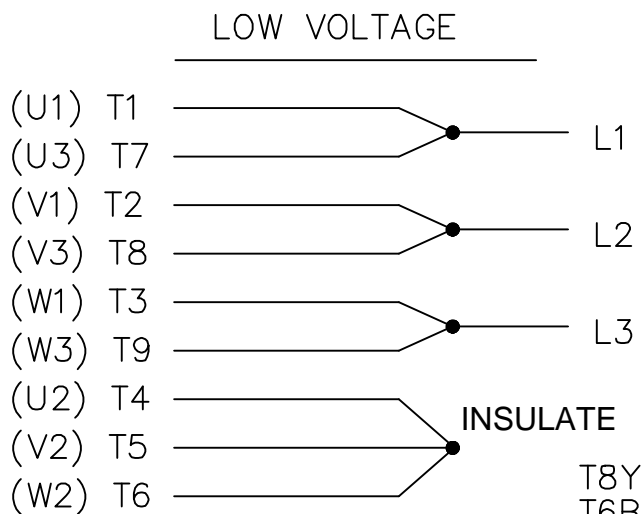
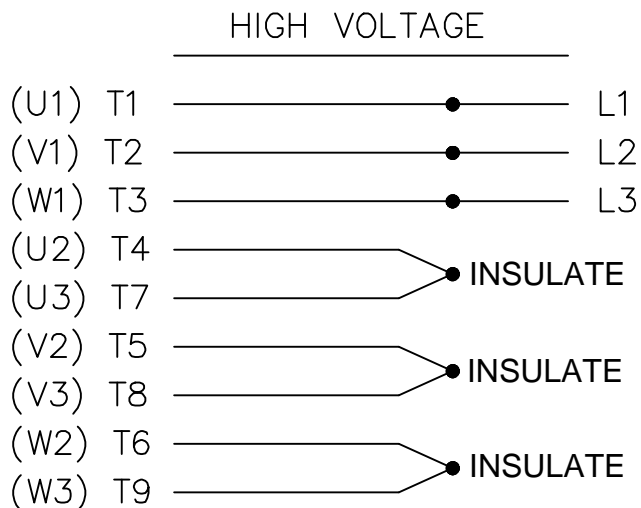


THREE PHASE DUAL VOLTAGE MOTOR

EE7308

GAP-M50016
56T17D15611-ME1011141
1.5HP-3P-60HZ.



- T1 (U1)
- T4 (U2)
- T9 (W3)
- T7 (U3)
- T8 (V3)
- T6 (W2)
- T5 (V2)
- T2 (V1)
- T3 (W1)

VIEW OF TERMINAL END

REF.
WINDING DIAGRAM

T8Y, T2Y, T2BL, T4BX, T2EC, T2G
T6BZ, T2B, T6BL, T4AV, T6B, T4B

OPTIONAL CORD
CONNECTION

- L1 — WHITE
- L2 — RED
- L3 — BLACK

NO.	REVISION	BY & DATE	CHK	TOLERANCES UNLESS SPECIFIED		FINISH	DRAWN RM 11/20/1990			
				DEC.	INCHES					
4	REVISED IEC NOTATIONS	MSG 11/15/2011	CMN	.X	±.1		CHK ML 11/21/1990			
3	ADDED IEC NOTATIONS... (U1), (V1) ETC. MU95194	MSG 5/10/2010	MJS	.XX	±.02		APPD SAS 04/24/2003			
2	ADDED THE OPTIONAL CORD CONNECTION MU46318	RDH 04/24/2003	DRS	.XXX	±.005		SCALE 1=1			
1	REDRAWN	RM 11/20/1990		.XXXX	±.0005		REF			
				ANG	±7'30"	MAT'L.	FMF			
THIS DRAWING IN DESIGN AND DETAIL IS OUR PROPERTY AND MUST NOT BE USED EXCEPT IN CONNECTION WITH OUR WORK ALL RIGHTS OF DESIGN AND INVENTION ARE RESERVED THIS IS AN ELECTRONICALLY GENERATED DOCUMENT - DO NOT SCALE THIS PRINT				RFP	CAD FILE ee7308		SIZE A	DRAWING NO. EE7308	PAGE OF 3	REV. 3