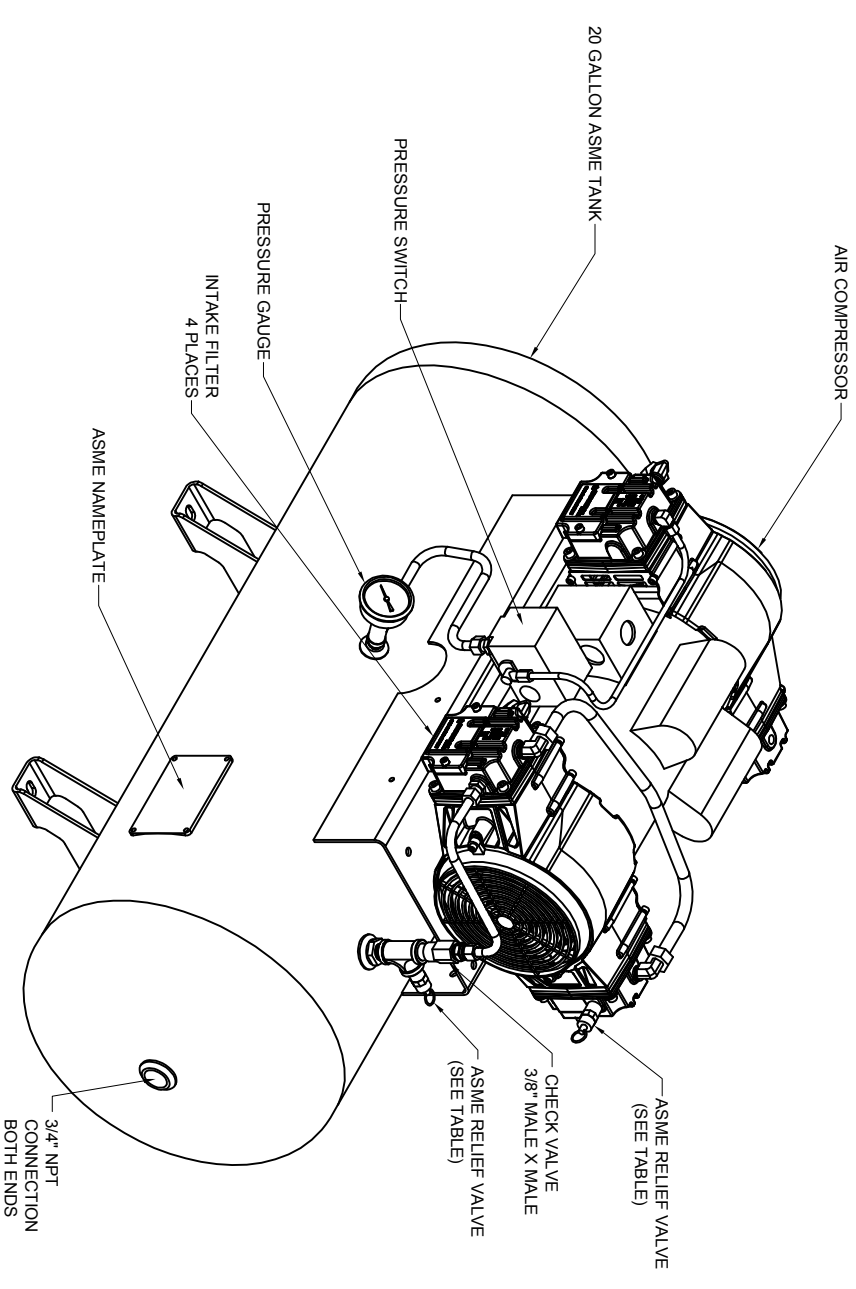
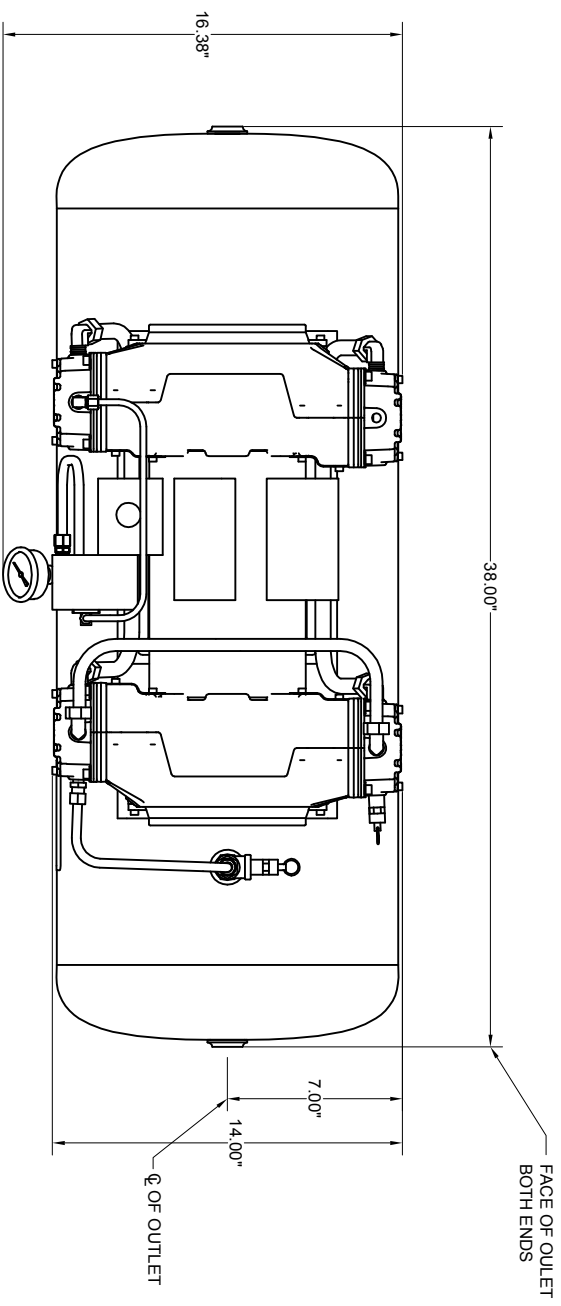
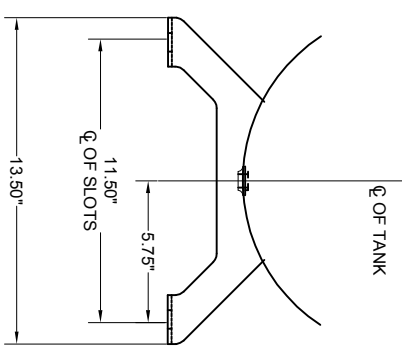
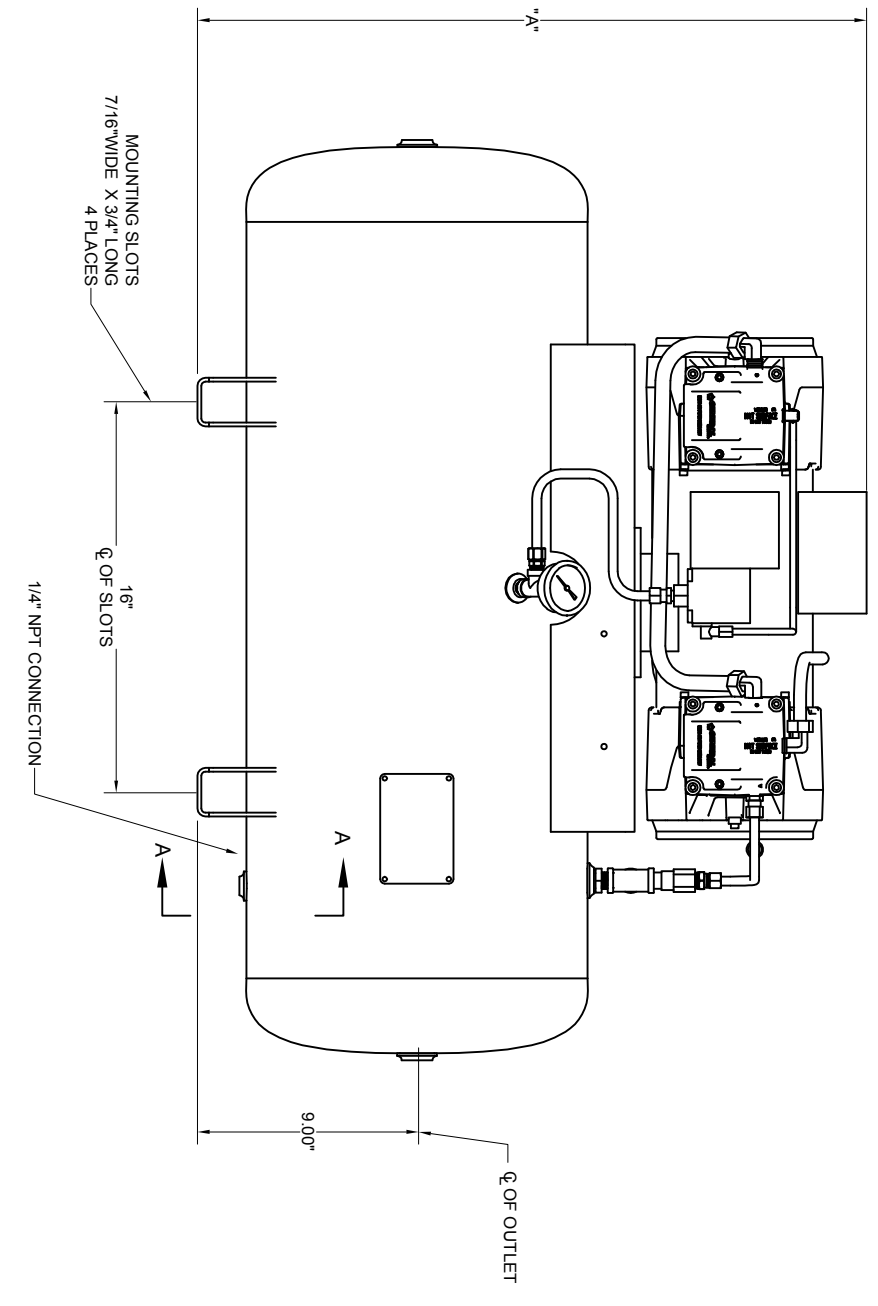


REVISIONS				
ZONE	REV	DESCRIPTION	DATE	APPROVED
	0	RELEASED ON ECN #0121	08/28/14	RJM
	1	RELEASED ON ECN #0144	01/21/15	RCL



MODEL	MOTOR	VOLTAGE	ON	OFF	RELIEF VALVE	DIM "A"	NET WEIGHT	REBUILD * KIT #
OL915150ACT	1-1/2 HP	115/208-230V/1PH/60HZ	27 TO 30 PSIG	40 TO 44 PSIG	75 PSIG	27.50"	128 LBS	
OL915150BCT		208-230/460V/3PH/60HZ	27 TO 30 PSIG	40 TO 44 PSIG	75 PSIG	27.50"		OLC-RK
OL915150BCT-HP		208-230/460V/3PH/60HZ	80 PSIG	100 PSIG	125 PSIG	29.00"		
OL915200ACT-HP	2 HP	208-230V/1PH/60HZ	80 PSIG	100 PSIG	125 PSIG	29.00"	138 LBS	
OL1225200ACT		208-230V/1PH/60HZ	27 TO 30 PSIG	40 TO 44 PSIG	75 PSIG	29.00"		
OL1225200BCT		208-230/460V/3PH/60HZ	27 TO 30 PSIG	40 TO 44 PSIG	75 PSIG	29.00"		
OL1100200ACT-HP		208-230V/1PH/60HZ	80 PSIG	100 PSIG	125 PSIG	29.00"		
OL1100200BCT-HP		208-230/460V/3PH/60HZ	80 PSIG	100 PSIG	125 PSIG	29.00"		

* REBUILD KIT (OLC-RK) CONSISTS OF REPLACEMENT CYLINDER, CUP AND INTAKE FILTER.



- NOTES:
1. COMPRESSOR APPEARANCE MAY VARY.
 2. DIMENSIONS ARE SUBJECT TO CHANGE WITHOUT NOTICE.
 3. ALL PIPING MUST BE INDEPENDENTLY SUPPORTED TO AVOID ANY UNDO STRESS ON COMPRESSOR HEAD.

PROJECT O/CYCLONE CYCLONE NEW FULL ASSEMBLY TANK MOUNT DRAWING SIG-214215 REV 1 GENERAL ARRANGEMENT 4 CYLINDER COMPRESSOR TANK MOUNT DWG

UNLESS OTHERWISE SPECIFIED DIMENSIONS ARE IN INCHES TOLERANCES ARE: FRACTIONS DECIMALS ANGLES ±1/2 ±1/2 ±1/2°

THIS DRAWING AND ALL OF ITS CONTENTS ARE THE SOLE PROPERTY OF GENERAL AIR PRODUCTS, INC. DETAILS MAY CHANGE WITHOUT NOTICE. THE CONTENTS OF THIS DRAWING MAY NOT BE REPRODUCED OR INCORPORATED IN WHOLE OR IN PART IN ANY EQUIPMENT, DRAWING, OR DOCUMENT WITHOUT THE WRITTEN CONSENT OF GENERAL AIR PRODUCTS, INCORPORATED.

		GENERAL ARRANGEMENT 4 CYLINDER OIL LESS FIRE PROTECTION COMPRESSOR, TANK MOUNT	
APPROVALS	DATE	DWG. NO.	REV
DRAWN GWS	08/28/14	G-214215	1
CHECKED RJM	08/28/14		
SCALE NONE	SIZE		
SHEET 1/1			