

Electrical
specs on
page 2



OLT Plus Series - Single Phase, High Pressure, Tank Mounted Air Compressors for Dry Pipe Sprinkler Systems

OLT Plus Series

This tank mounted air compressor is specifically designed to fill systems to 40 PSI in 30 minutes per NFPA 13

- Oil Less Piston Compressor
- UL Listed Pressure Switch
- ASME Coded Tank
- Bubble tight air check valve
- Permanently lubricated bearings
- Customized Motor Windings
- **Max Pressure: 100 PSI**
- Integrated Air Intake Filters
- Fully automatic, direct drive
- Pre-wired and Pre-tested
- 30" Stainless Steel Flex Hose
- Vibration Isolation Pads



System Capacity*	Model Number	Average CFM**	Motor HP	Recommended Wire Size +	Dimensions			Tank Size (gal.)	Weight (lbs)
					L	W	H		
250 gal.	OL25033ACT-HP	3.03	1/3	12	34"	13"	27"	10	77
365 gal.	OL36575ACT-HP	4.43	3/4	12	34"	15"	25"	10	84
430 gal.	OL430100ACT-HP	5.21	1	10	34"	15"	25"	10	96
550 gal.	OL550100ACT-HP	7.46	1	6	34"	15"	25"	10	96
915 gal.	OL915150ACT-HP	11.10	1½	6	38"	16"	28"	20	135
1100 gal.	OL1100200ACT-HP	14.85	2	10	38"	16"	29"	20	145

Accessories:



Air Maintenance Device - Part # AMD-1
The AMD-1 is **required** for supplying air to a dry pipe system when using a tank mounted unit. The AMD-1 regulates the volume of air being delivered to the system.

Motor Line Starters - Thermal Overload Protection Single Phase

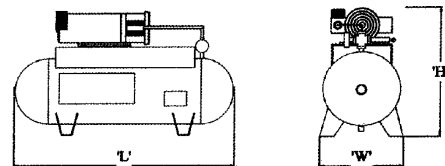
Maximum HP	115V	208/230V	Size	Model
	1/3 HP	1 HP	00	MG00A
1 HP	2 HP	0	MGX0A	
2 HP	3 HP	1	MG01A	
3 HP	5 HP	1P	MG15A	

When Ordering a Motor Starter you must specify HP, Voltage and Phase that is supplied to the motor.

Notes:

- * System Capacity based on 70°F system temperature.
- ** Average CFM is the average free air delivery from 0 to 40 PSIG
- + Recommended Wire Sizes based on 100ft run. consult factory for longer or shorter runs.

VOLTAGE - All Single Phase Units: 115 or 208-230 Volt except OL1100200ACT-HP which is 208-230 only



WARNING: Cancer and Reproductive Harm - www.p65warnings.ca.gov



OLT Plus Series - Single Phase, **High Pressure**, Tank Mounted Air Compressors for Dry Pipe Sprinkler Systems

OLT
Series **Plus**

This tank mounted air compressor is specifically designed to fill systems to 40 PSI in 30 minutes per NFPA 13



Model Number	Nominal HP	Factory Wired Voltage	Amperage (amps)			Recommended Wire Size Based on Run Length (gage)		
			Voltage	FLA	Start Up	25 FT	50 FT	100 FT
OL25033ACT-HP	1/3	115	115	7.4	51.8	12	12	12
			208	3.5	24.5	12	12	12
			230	3.7	25.9	12	12	12
OL36575ACT-HP	3/4	115	115	11.6	81.2	12	10	6
			208	5	35	12	12	12
			230	5.8	40.6	12	12	12
OL430100ACT-HP	1	115	115	18	126	8	8	6
			208	7.7	53.9	12	12	12
			230	9	63	12	12	12
OL550100ACT-HP	1	115	115	18	126	8	8	6
			208	7.7	53.9	12	12	12
			230	9	63	12	12	12
OL915150ACT-HP	1½	115	115	16.2	116.2	12	8	6
			208	8.2	57.4	12	12	12
			230	8.3	58.1	12	12	12
OL1100200ACT-HP	2	208-230	208	11.6	81.2	12	12	10
			230	11	77	12	12	10

Note:

Wire sizes are based on maintaining 90% of the nominal voltage at starting amps. Starting amps are assumed to be 6 times the SFA.

Warning:

Failure to consult with a licensed electrical professional can result in serious personal injury or death. Disconnect all power before servicing. Undersized wire between the motor and the power source will limit the starting and load carrying abilities of the motor causing motor overheating and permanent damage to the motor. Wire sizes listed are recommendations only. Consult the National Electric Code (NEC) and any applicable local electrical safety codes. The NEC and GAP recommends a maximum voltage drop of 3%. Install motors and related equipment in accordance with the National Electrical Code (NEC) local electrical safety codes and practices. **It is always the electrician's responsibility to determine and install a wire size that ensures motors can start and run well.**

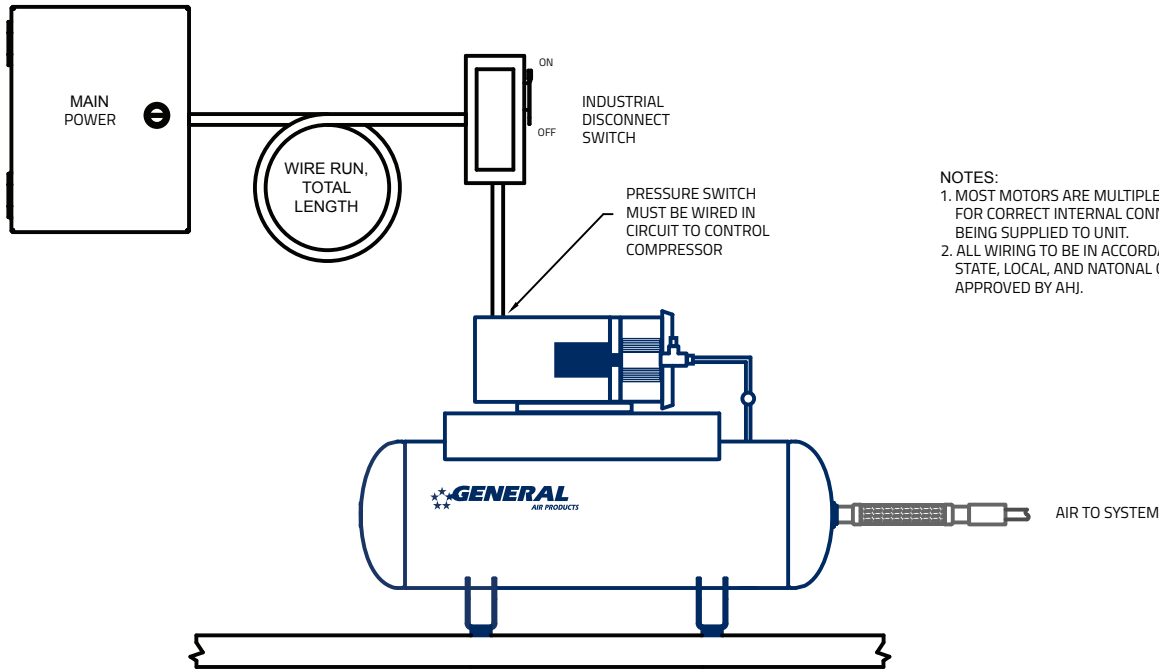
OLT Plus Series - Connection Diagram

OLT Series Plus

This tank mounted air compressor is specifically designed to fill systems to 40 PSI in 30 minutes per NFPA 13



System Layout

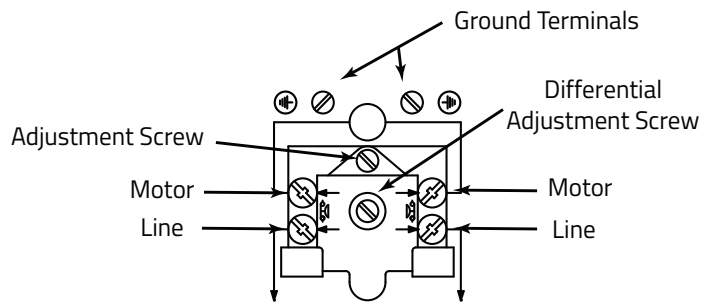


- NOTES:
1. MOST MOTORS ARE MULTIPLE VOLTAGE. CHECK NAMEPLATE FOR CORRECT INTERNAL CONNECTIONS FOR VOLTAGE BEING SUPPLIED TO UNIT.
 2. ALL WIRING TO BE IN ACCORDANCE WITH THE APPLICABLE STATE, LOCAL, AND NATIONAL CODES AND SHOULD BE APPROVED BY AHJ.

Pressure Switch Connection

PRESSURE SWITCH Diagram

Note: Location of pressure switch varies based on model. This is a general diagram of components. For help specific to your switch please contact General Air Products.



Warning:

Failure to consult with a licensed electrical professional can result in serious personal injury or death. Disconnect all power before servicing. Undersized wire between the motor and the power source will limit the starting and load carrying abilities of the motor causing motor overheating and permanent damage to the motor. Wire sizes listed are recommendations only - consult the National Electric Code (NEC) and any applicable local electrical safety codes. The NEC and GAP recommends a maximum voltage drop of 3%. Install motors and related equipment in accordance with the National Electrical Code (NEC) local electrical safety codes and practices. **It is always the electrician's responsibility to determine and install a wire size that ensures motors can start and run well.**