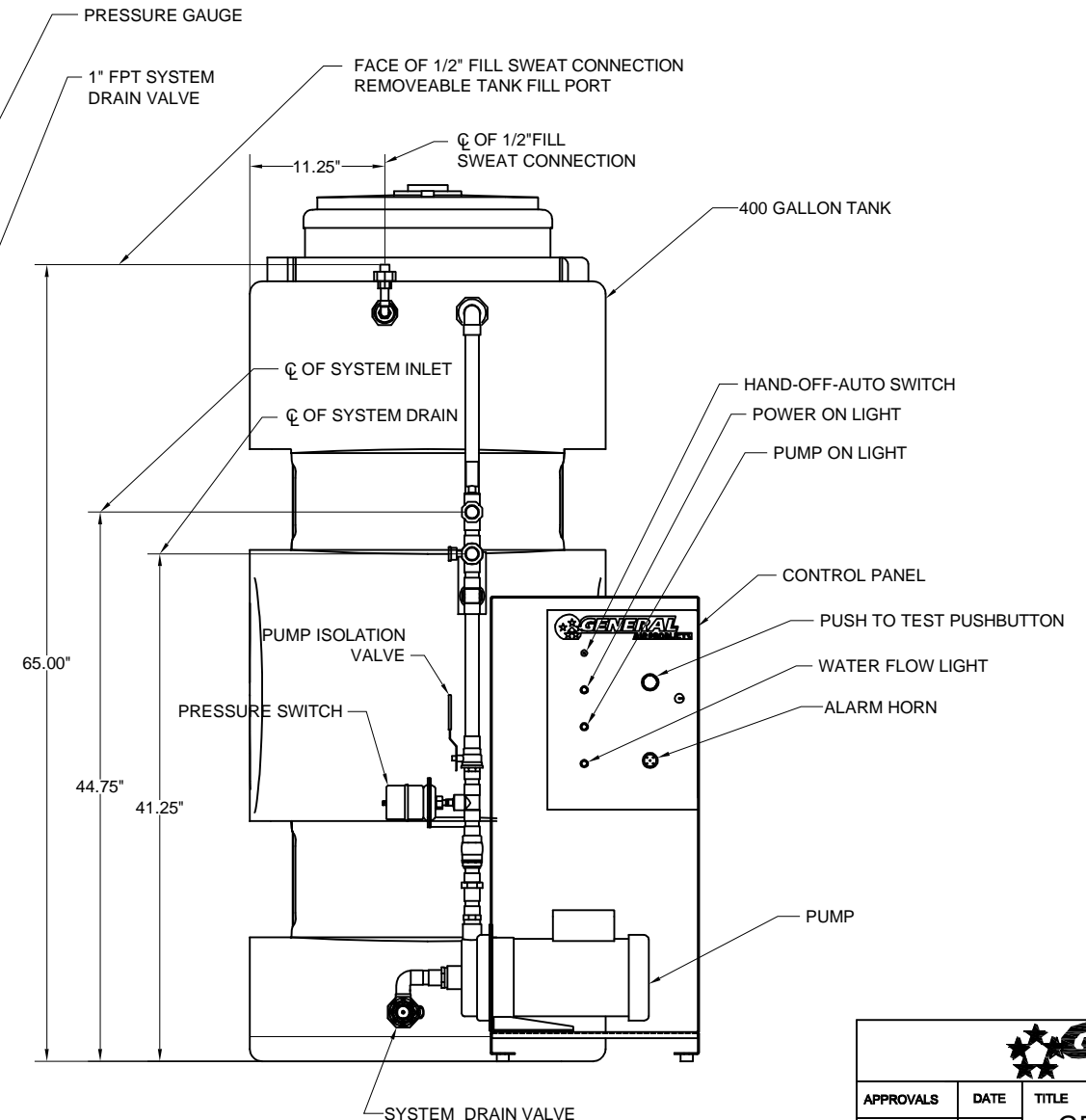
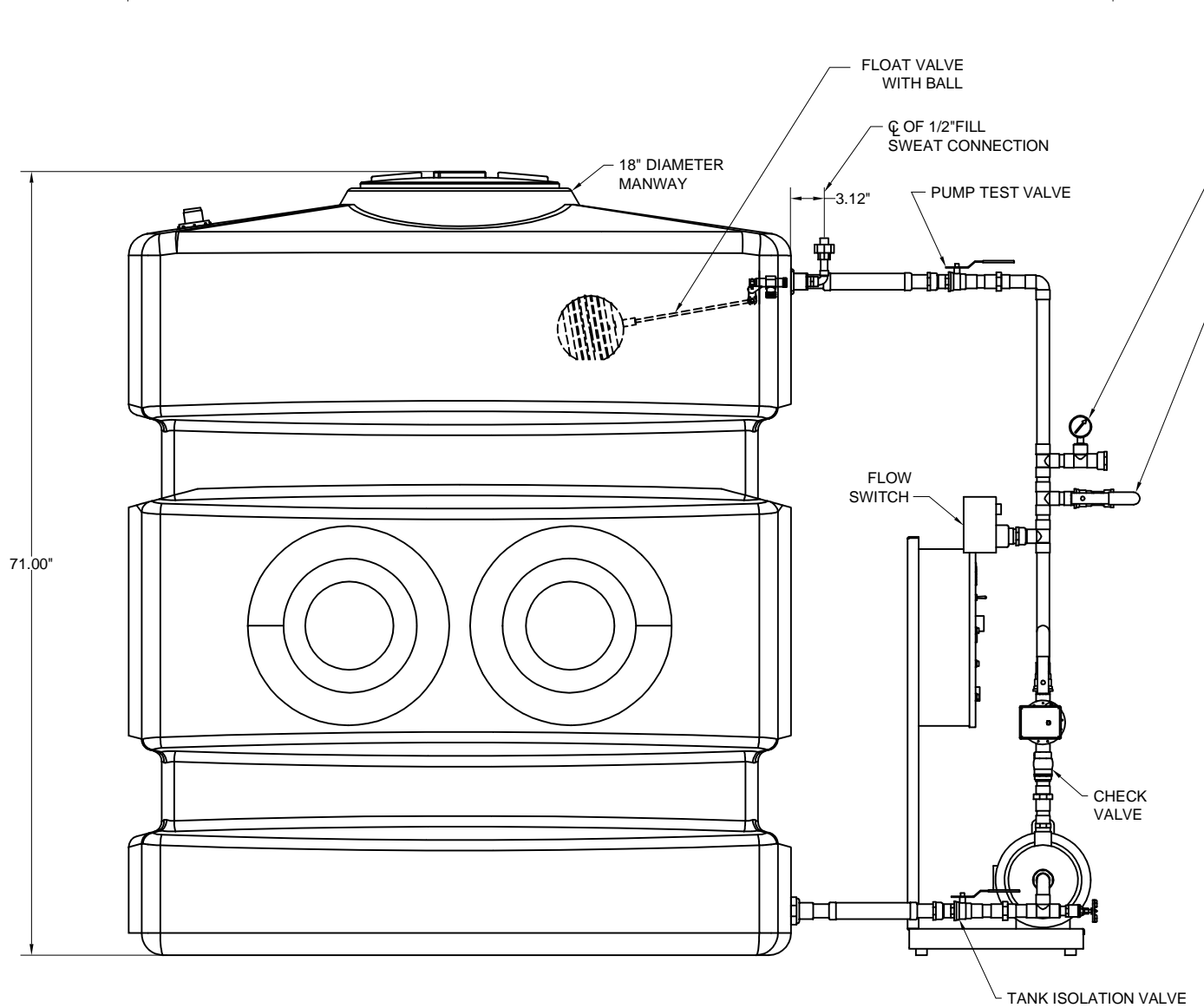
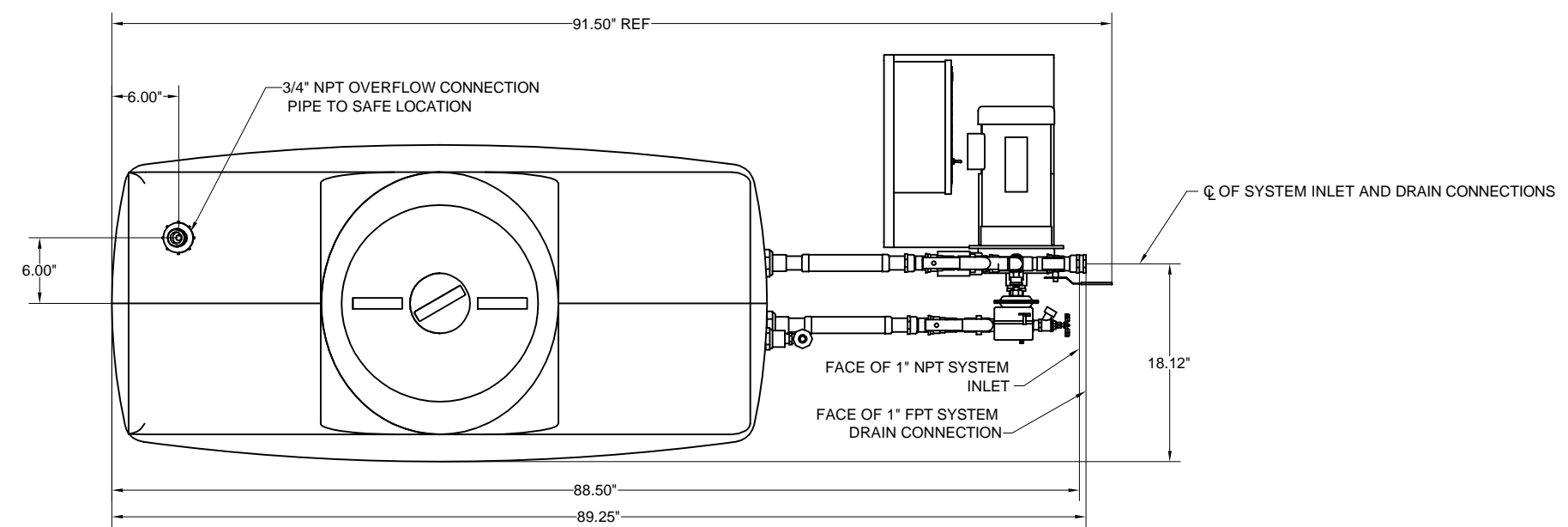


REVISIONS				
ZONE	REV	DESCRIPTION	DATE	APPROVED



UNLESS OTHERWISE SPECIFIED DIMENSIONS ARE IN INCHES TOLERANCES ARE:

FRACTIONS	DECIMALS	ANGLES
±1/4	.XX ± .13	±1/2°

GENERAL
AIR PRODUCTS

APPROVALS	DATE	TITLE
DRAWN EJR	05-15-09	GENERAL ARRANGEMENT RESIDENTIAL FIRE PROTECTION MODELS OPS11,12,14,15,18,19 -C-T4
CHECKED DPH	05-15-09	
SCALE	SIZE	
SHEET 1 OF 1	D	DWG. NO. G-209120
		REV 0