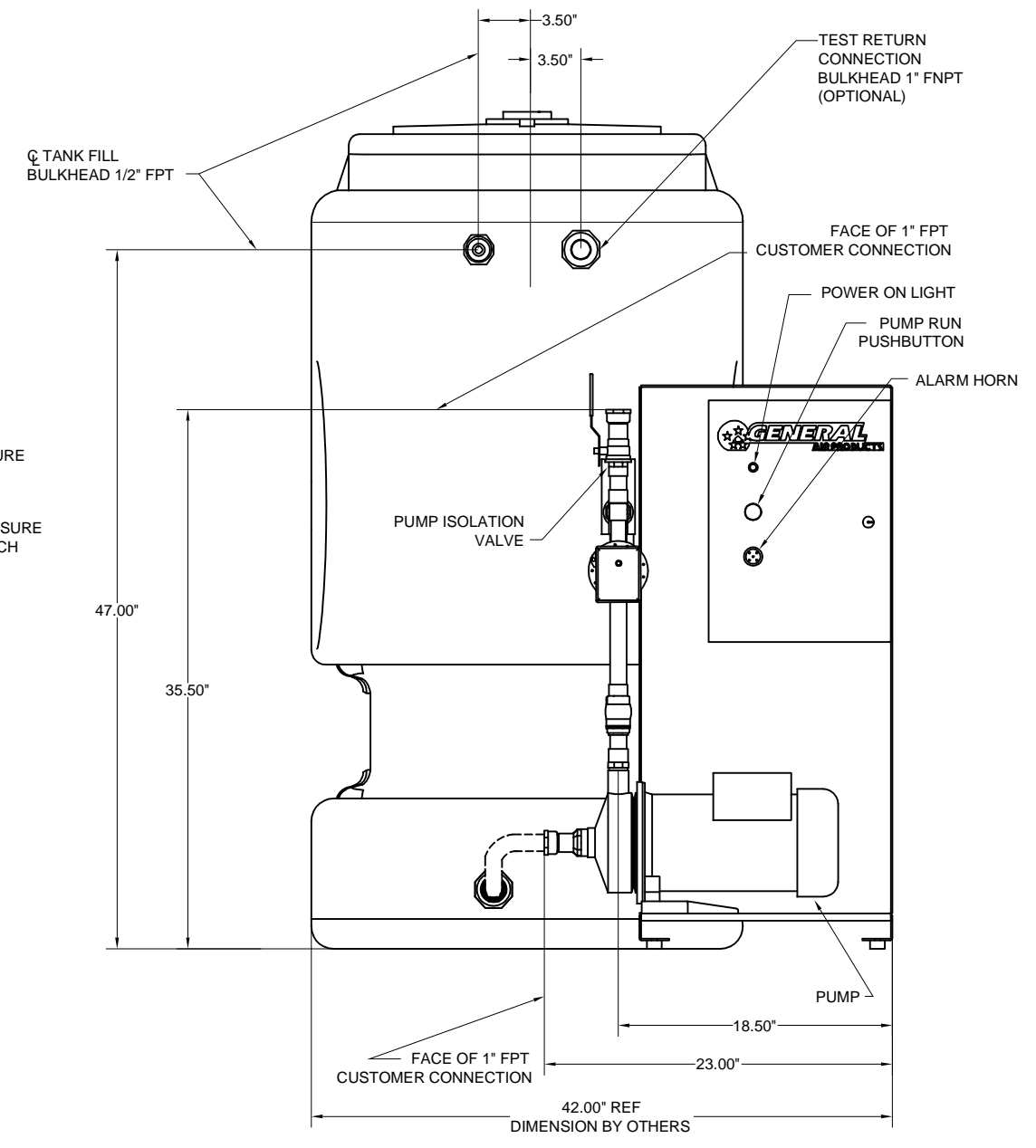
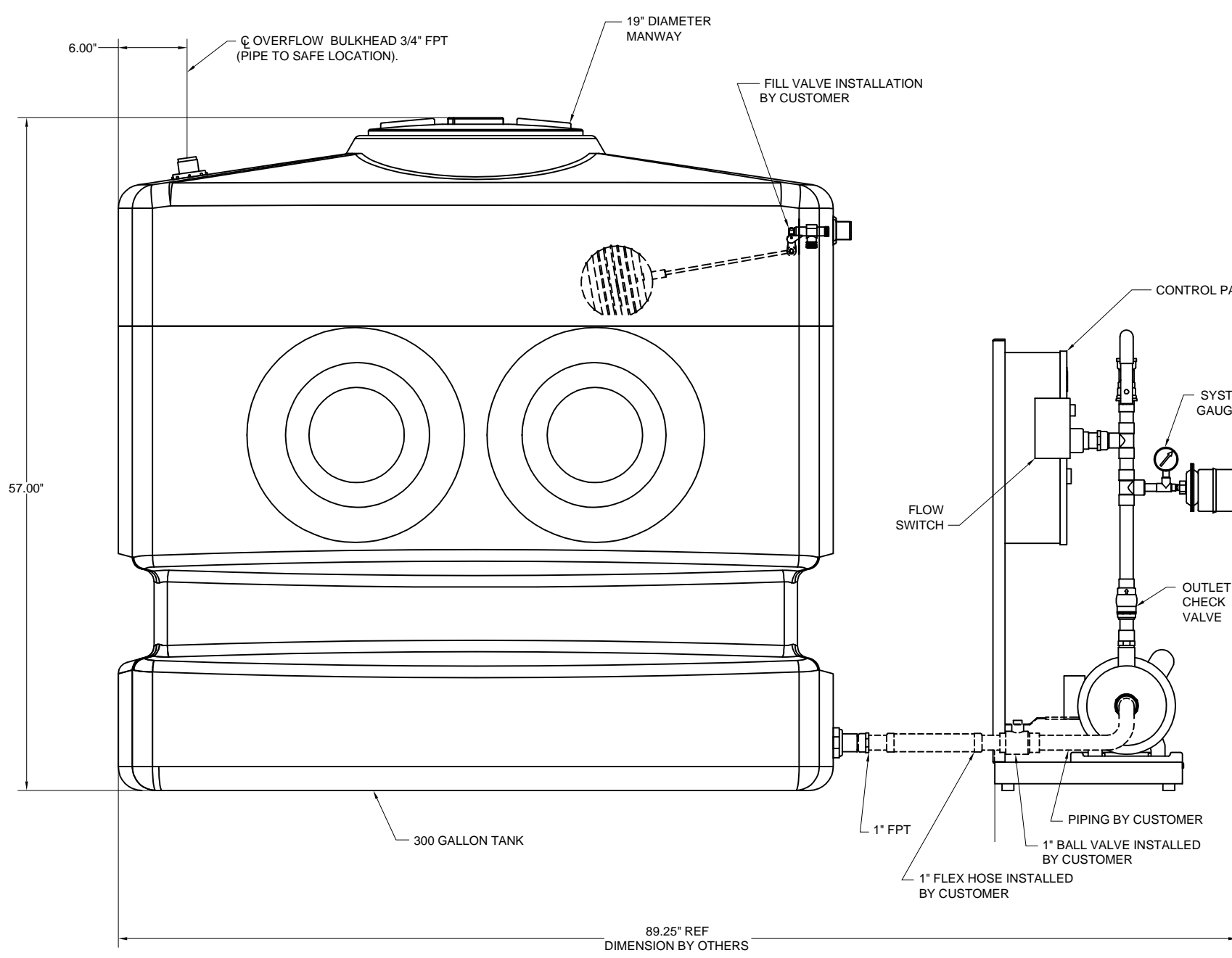


REVISIONS				
ZONE	REV	DESCRIPTION	DATE	APPROVED



UNLESS OTHERWISE SPECIFIED DIMENSIONS ARE IN INCHES TOLERANCES ARE:

FRACTIONS	DECIMALS	ANGLES
±1/4	.XX ± .13	±1/2°

APPROVALS DRAWN EJR CHECKED RM SCALE SHEET 1 OF 1		DATE 07-01-09 07-01-09	TITLE GENERAL ARRANGEMENT RESIDENTIAL FIRE PROTECTION BASIC OPEN SYSTEM WITH TANK MODELS OPS 11,12,15,18,19-X-T3	DWG. NO. G-209192	REV 0

