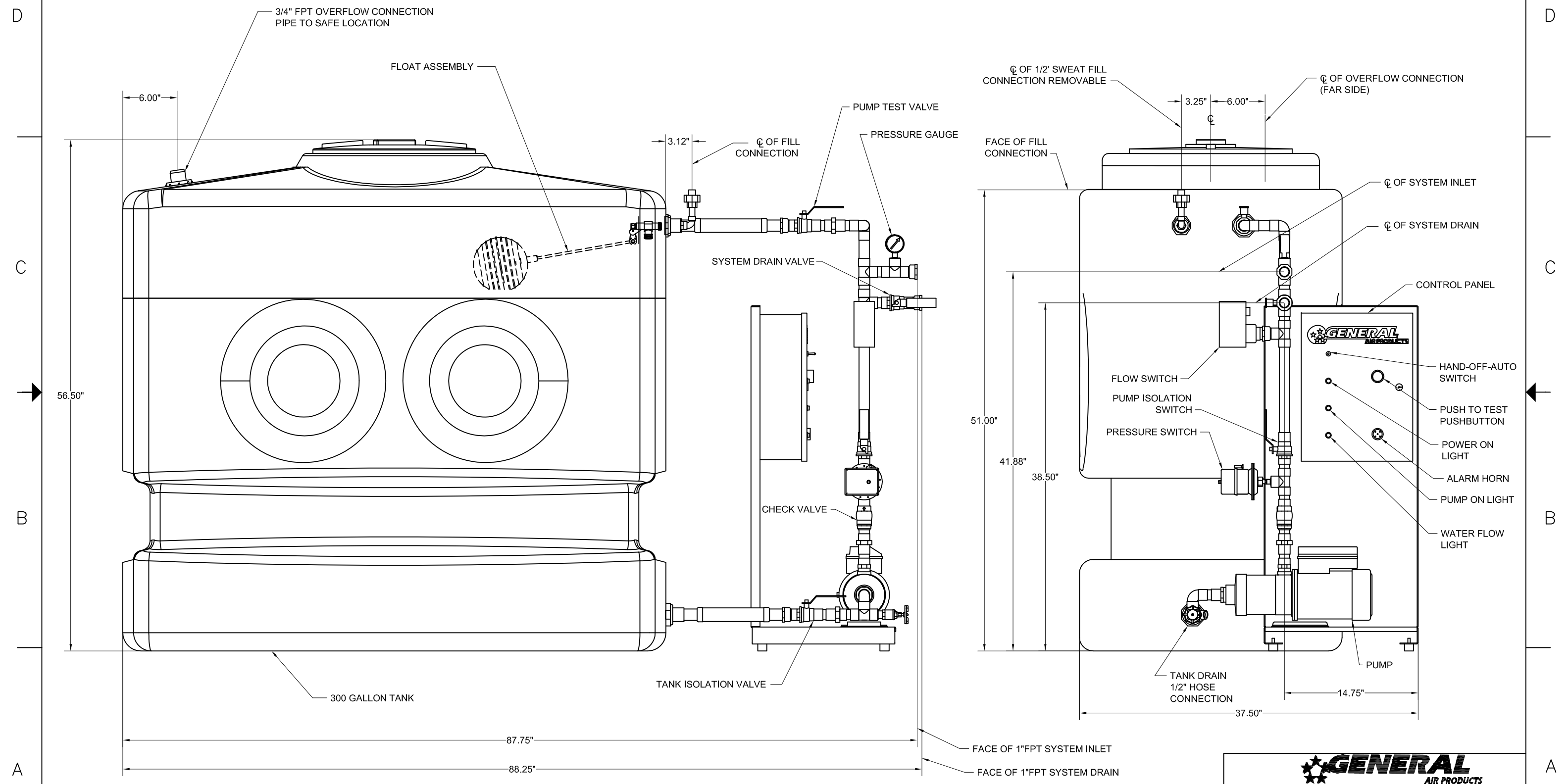


REVISIONS				
ZONE	REV	DESCRIPTION	DATE	APPROVED



UNLESS OTHERWISE SPECIFIED
DIMENSIONS ARE IN INCHES
TOLERANCES ARE:
FRACTIONS DECIMALS ANGLES
±1/4 .XX ± .13 ±1/2°

APPROVALS		DATE	TITLE
DRAWN	EJR	09-18-09	GENERAL AIR PRODUCTS GENERAL ARRANGEMENT RESIDENTIAL FIRE PROTECTION MODELS 13, 16, 17-C-T3
CHECKED	RM	09-18-09	
SCALE	SIZE		
SHEET	D	DWG. NO.	REV
1 OF 1		G-209304	0