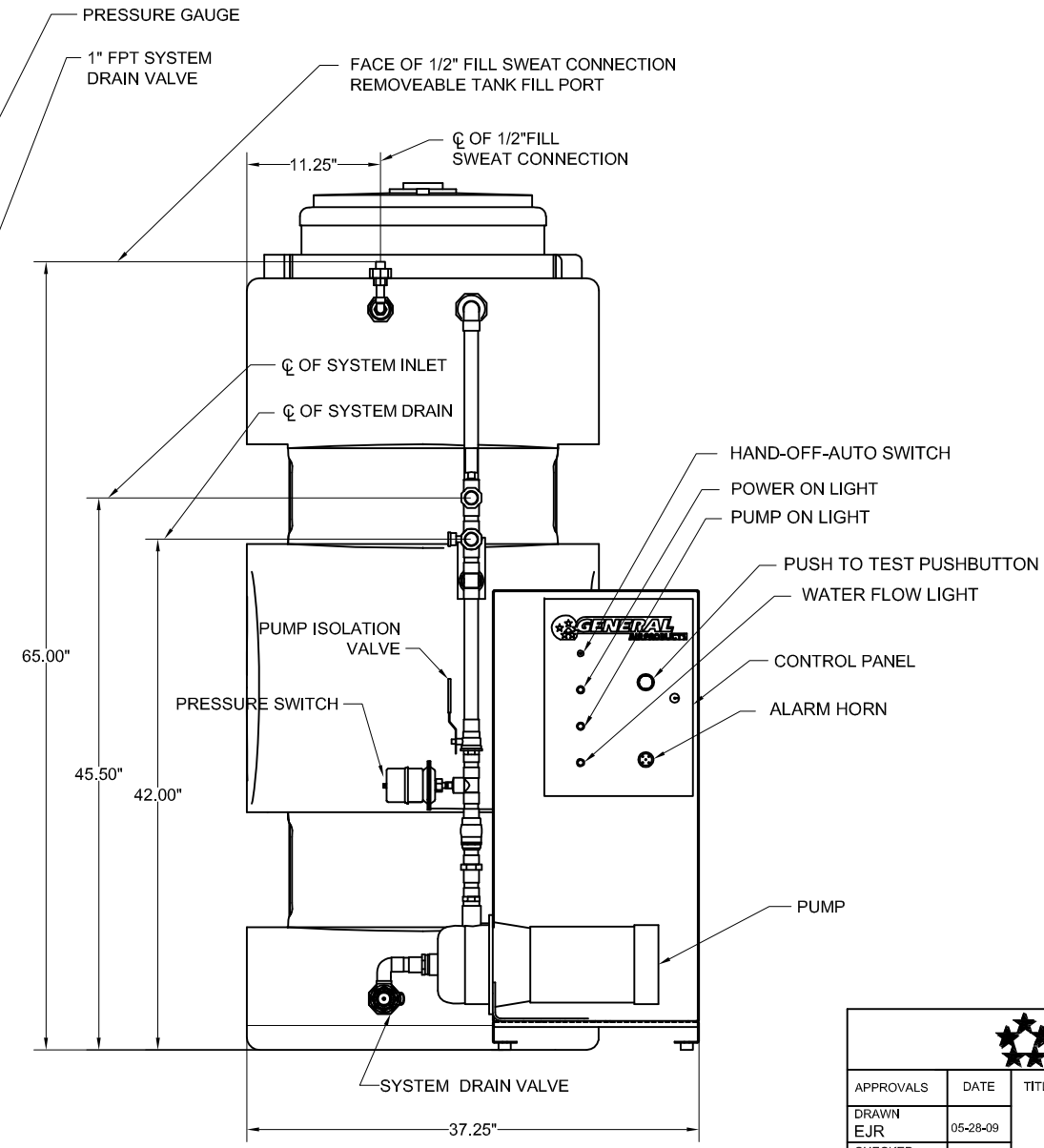
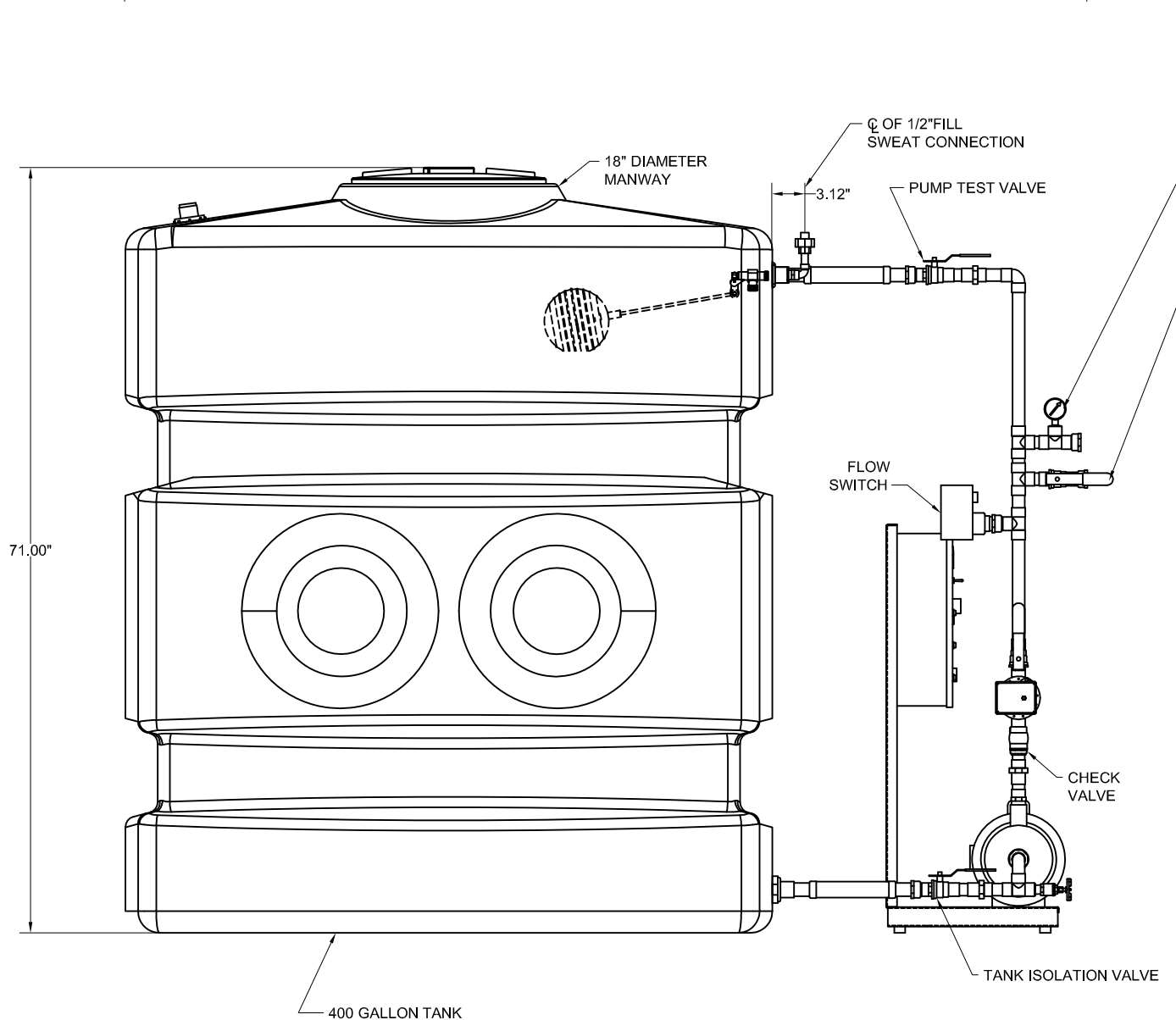
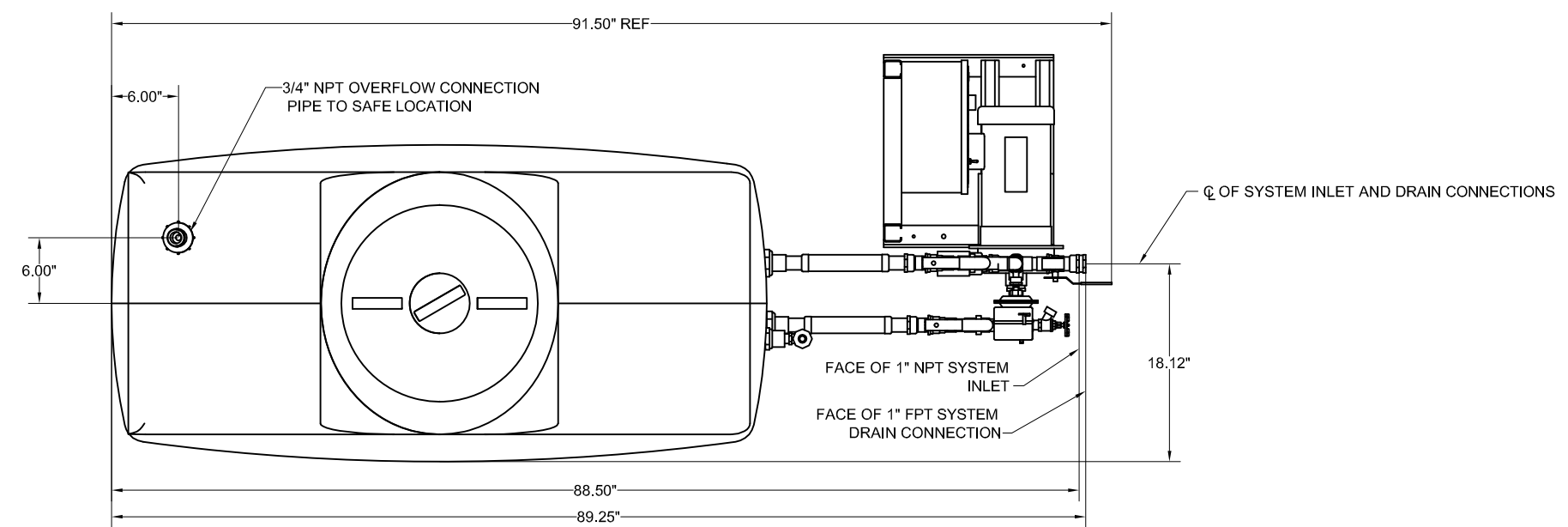


REVISIONS				
ZONE	REV	DESCRIPTION	DATE	APPROVED



UNLESS OTHERWISE SPECIFIED DIMENSIONS ARE IN INCHES TOLERANCES ARE:

FRACTIONS	DECIMALS	ANGLES
±1/4	.XX ± .13	±1/2°

APPROVALS		DATE	TITLE
		05-28-09	GENERAL ARRANGEMENT RESIDENTIAL FIRE PROTECTION MODEL OPS20-C-T4
DRAWN		DATE	DWG. NO. G-209154
EJR		05-28-09	
CHECKED		DATE	REV 0
RM		05-28-09	
SCALE		SIZE	
SHEET 1 OF 1		D	