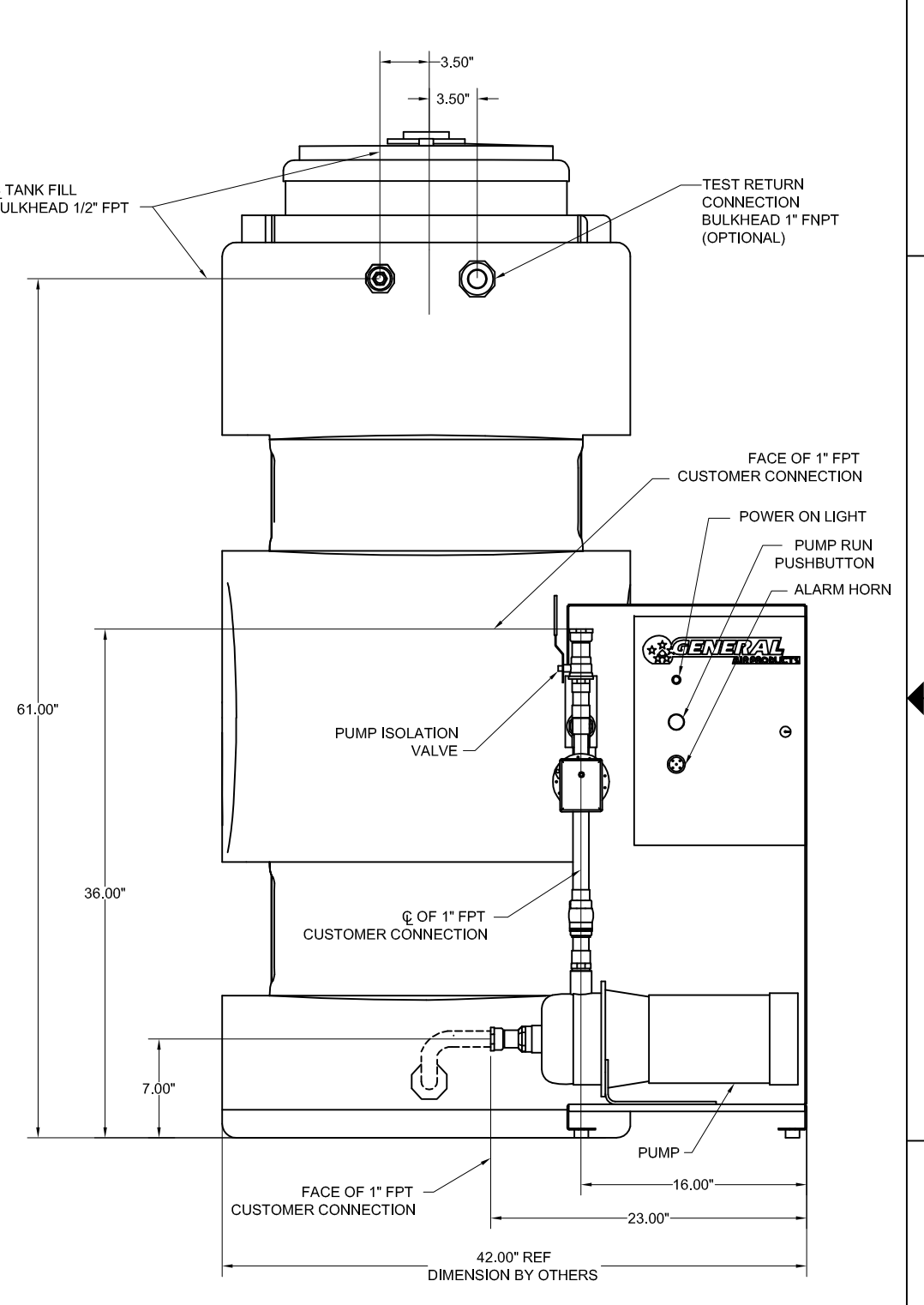
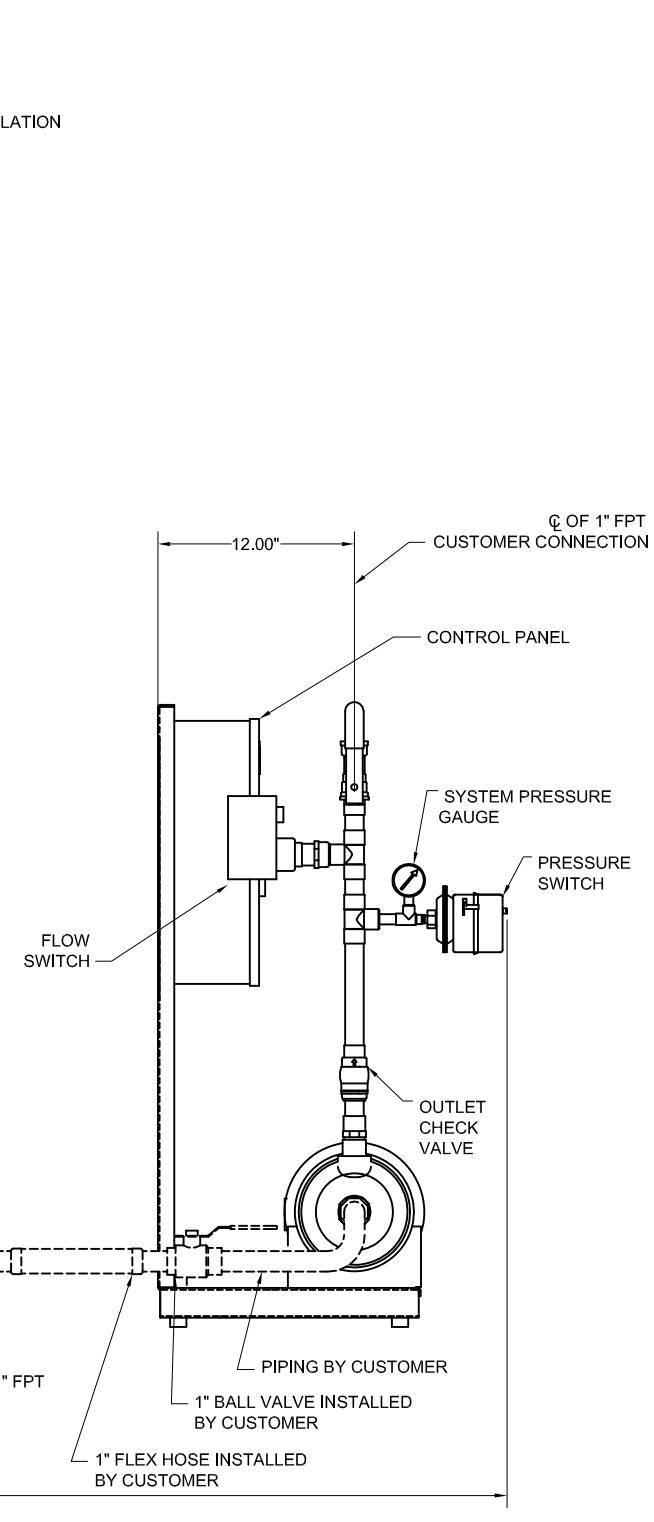
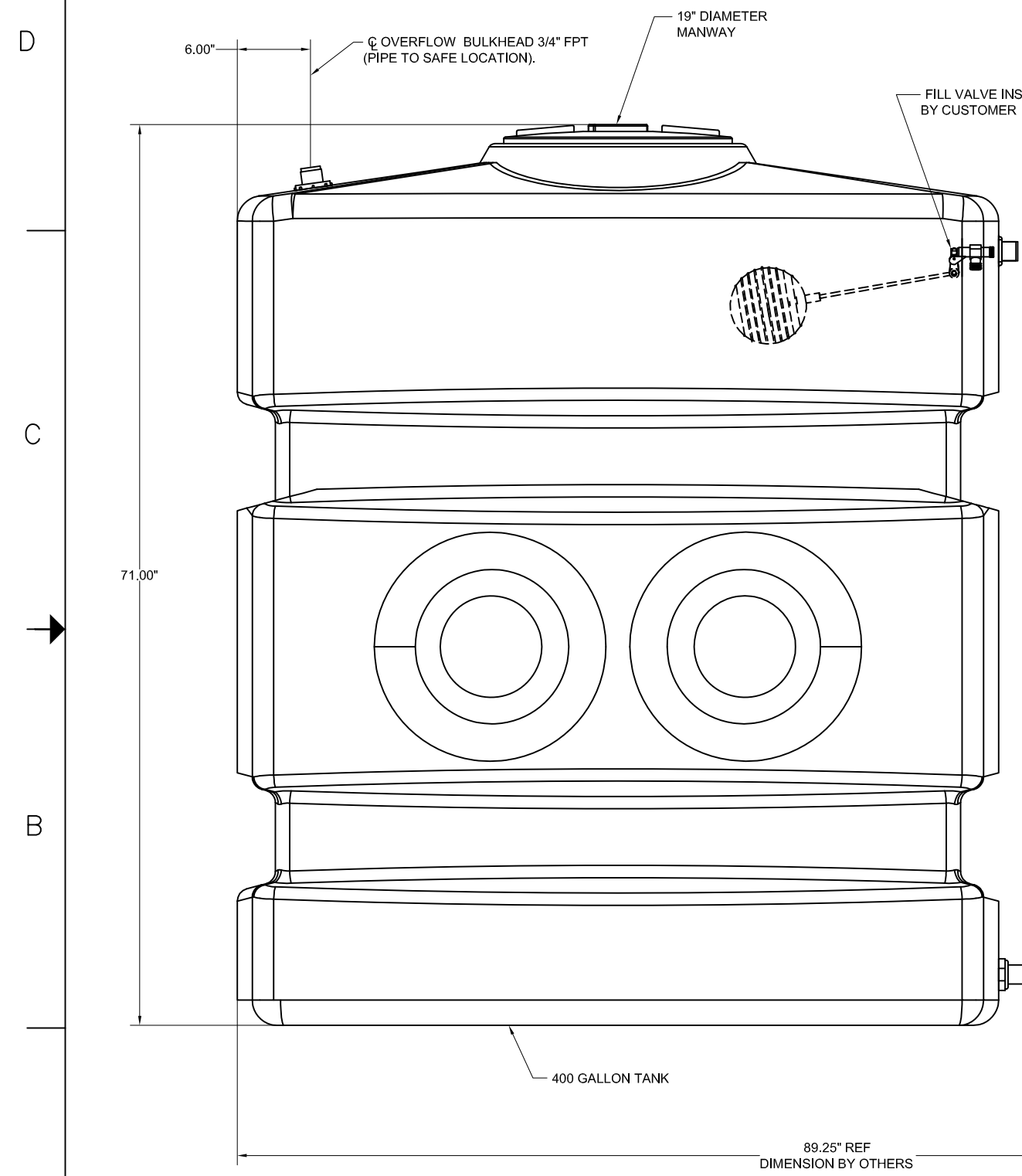


REVISIONS				
ZONE	REV	DESCRIPTION	DATE	APPROVED



UNLESS OTHERWISE SPECIFIED
 DIMENSIONS ARE IN INCHES
 TOLERANCES ARE:
 FRACTIONS DECIMALS ANGLES
 ±1/4 .XX ± .13 ±1/2°

APPROVALS		DATE	TITLE
DRAWN EJR		07-08-09	GENERAL AIR PRODUCTS GENERAL ARRANGEMENT RESIDENTIAL FIRE PROTECTION BASIC OPEN SYSTEM WITH TANK MODEL OPS20-X-T4
CHECKED DPH		07-08-09	
SCALE		SIZE	
SHEET 1 OF 1		D	DWG. NO. G-209235 REV 0