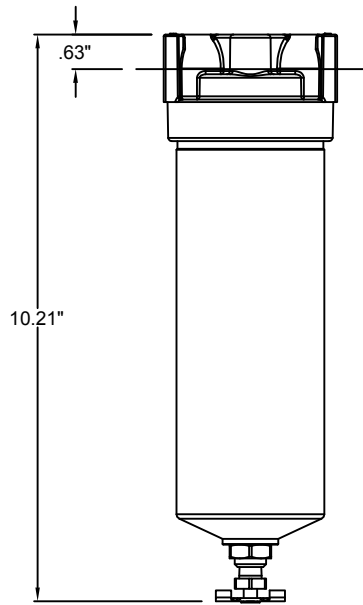


OPERATING  
FLOW RATE  
AT 100 PSIG

✓	GRADE	SCFM
	6	50

Port Size: 1/2" NPT



ELEMENT TYPE

✓	MEDIA	DESCRIPTION
	C	COALESCER

MAXIMUM PRESSURE  
AND TEMPERATURE

✓	ACCESS.	PSIG	°F
	N	500	175

MANUAL  
DRAIN

NOTE:  
MINIMUM 5-1/2" CLEARANCE BELOW  
DRAIN FOR BOWL REMOVAL