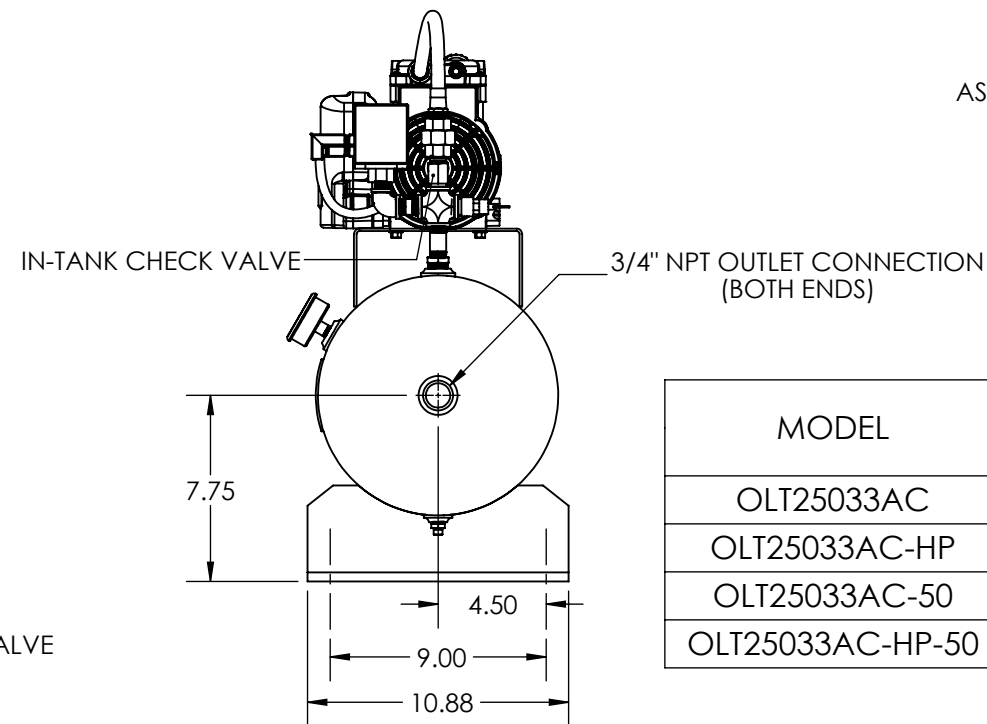
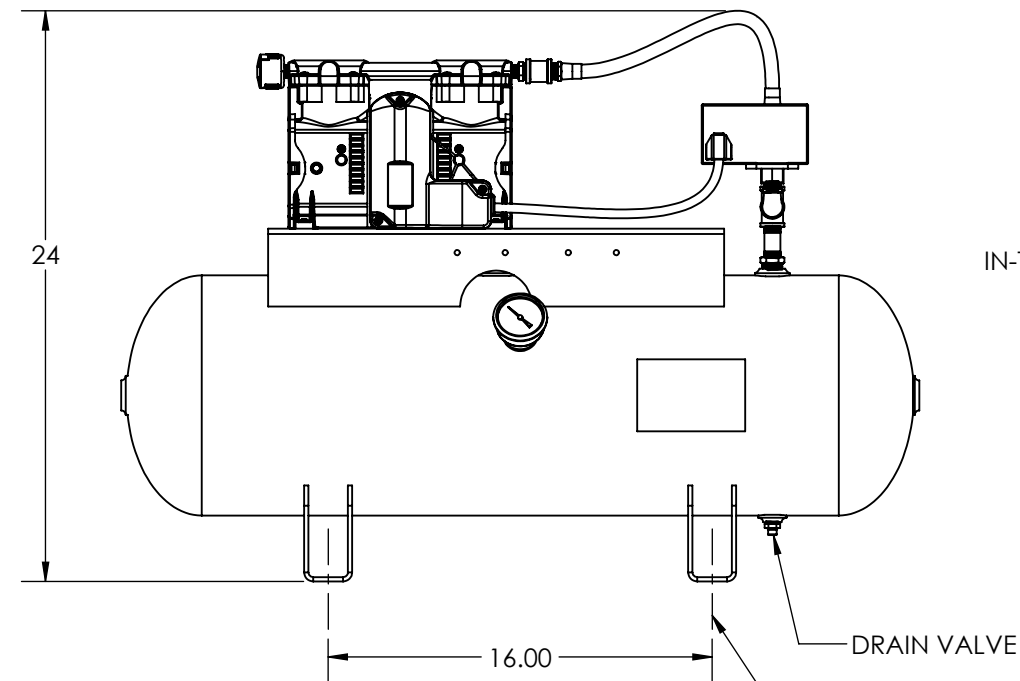
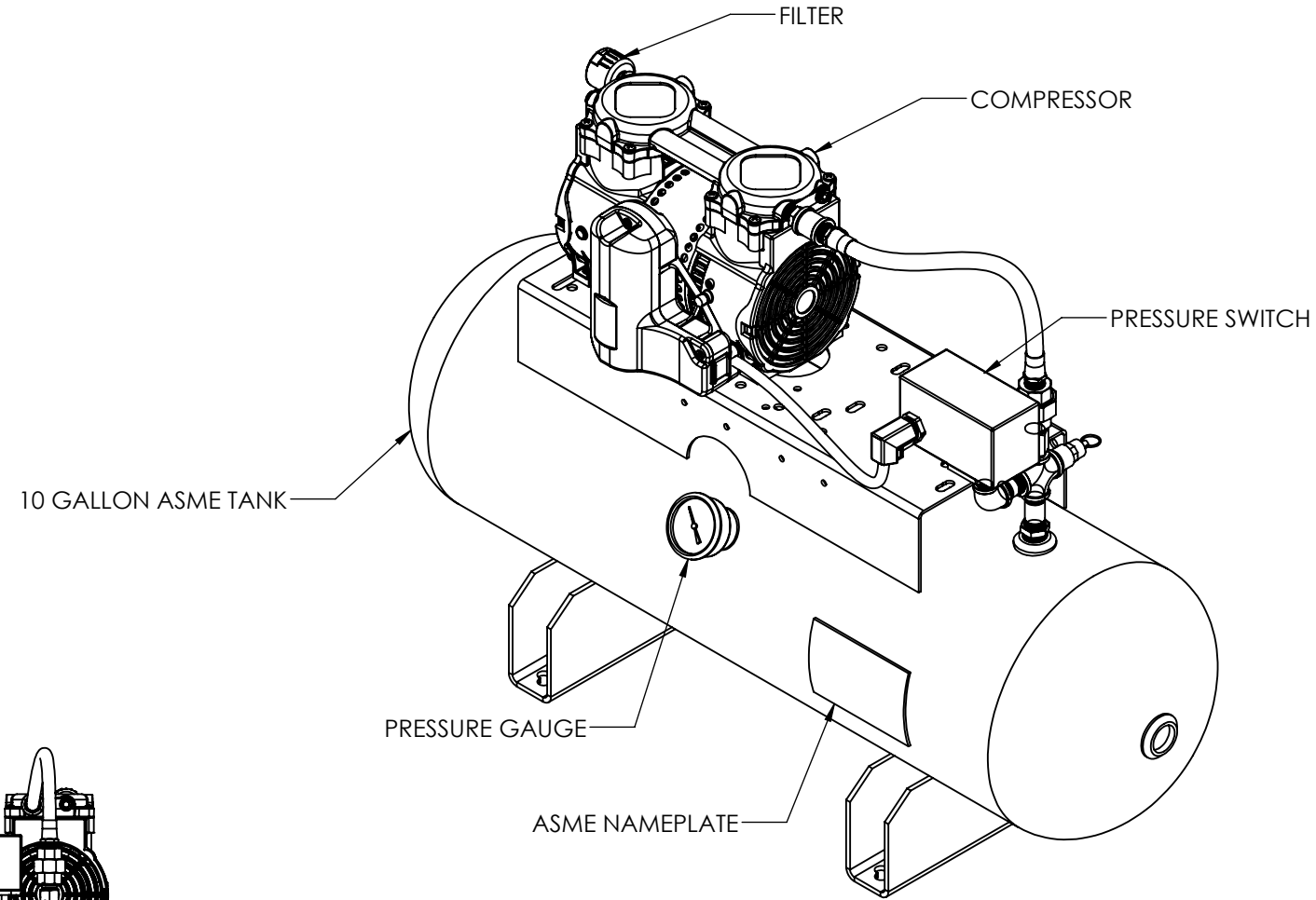
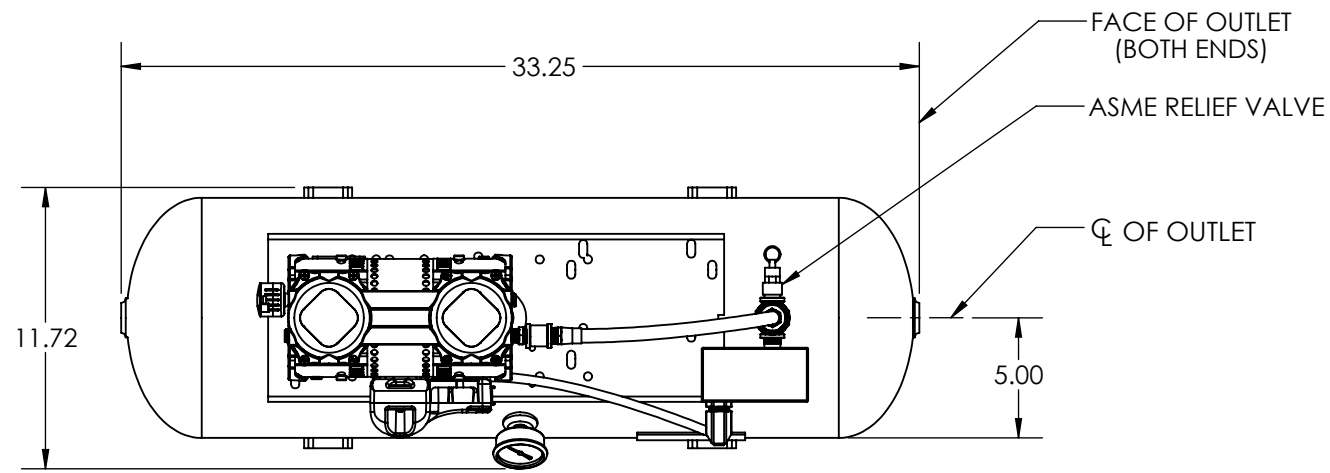


REVISIONS			DATE	APPROVED
ECO	REV	DESCRIPTION		
0581	0	RELEASE OF DRAWING	09/08/21	DPH



MODEL	VOLTAGE	PRESSURE SWITCH SETTING		RELIEF VALVE
		ON	OFF	
OLT25033AC	115/208-230V/1PH/60Hz	27-30 PSIG	40-44 PSIG	75 PSIG
OLT25033AC-HP		80 PSIG	100 PSIG	125 PSIG
OLT25033AC-50	220-240V/1PH/50Hz	27-30 PSIG	40-44 PSIG	75 PSIG
OLT25033AC-HP-50		80 PSIG	100 PSIG	125 PSIG

MOUNTING CROSS SLOTS
 7/16" WIDE X 1" LONG
 (4 PLACES)

UNLESS OTHERWISE SPECIFIED
 DIMENSIONS ARE IN INCHES
 TOLERANCES ARE:
 FRACTIONS DECIMALS ANGLES
 ±X .xx ±1.00 ±X

THIS DRAWING AND ALL OF ITS CONTENTS ARE THE SOLE PROPERTY OF GENERAL AIR PRODUCTS, INC. DETAILS MAY CHANGE WITHOUT NOTICE. THE CONTENTS OF THIS DRAWING, MAY NOT BE REPRODUCED OR INCORPORATED IN WHOLE OR IN PART IN ANY EQUIPMENT, NOR THE MANUFACTURE OF ANY PARTS, WITHOUT WRITTEN CONSENT OF GENERAL AIR PRODUCTS, INCORPORATED.

APPROVALS		DATE	TITLE:
DRAWN WLW	06/09/21	GENERAL AIR PRODUCTS OIL LESS ARRANGEMENT	
CHECKED DPH	06/09/21	2 CYL 1/3 HP TANK MOUNT STD. & HIGH PRESSURE WITH MECHANICAL PRESSURE SWITCH	
SCALE NONE	SIZE B	DWG. NO.	REV
SHEET 1 OF 1		G-221137	0