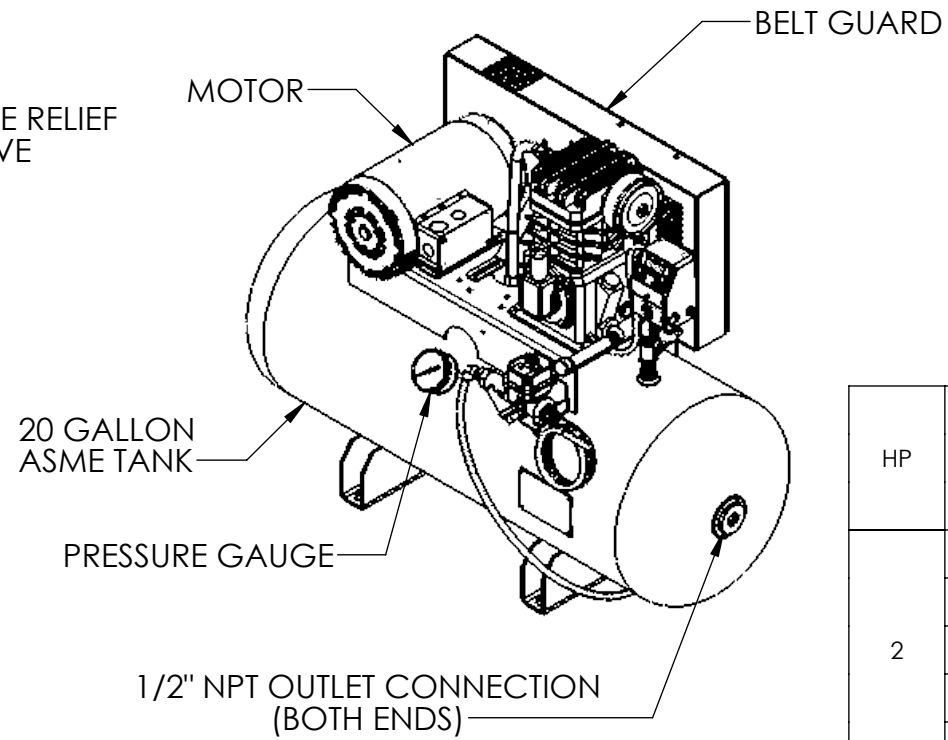
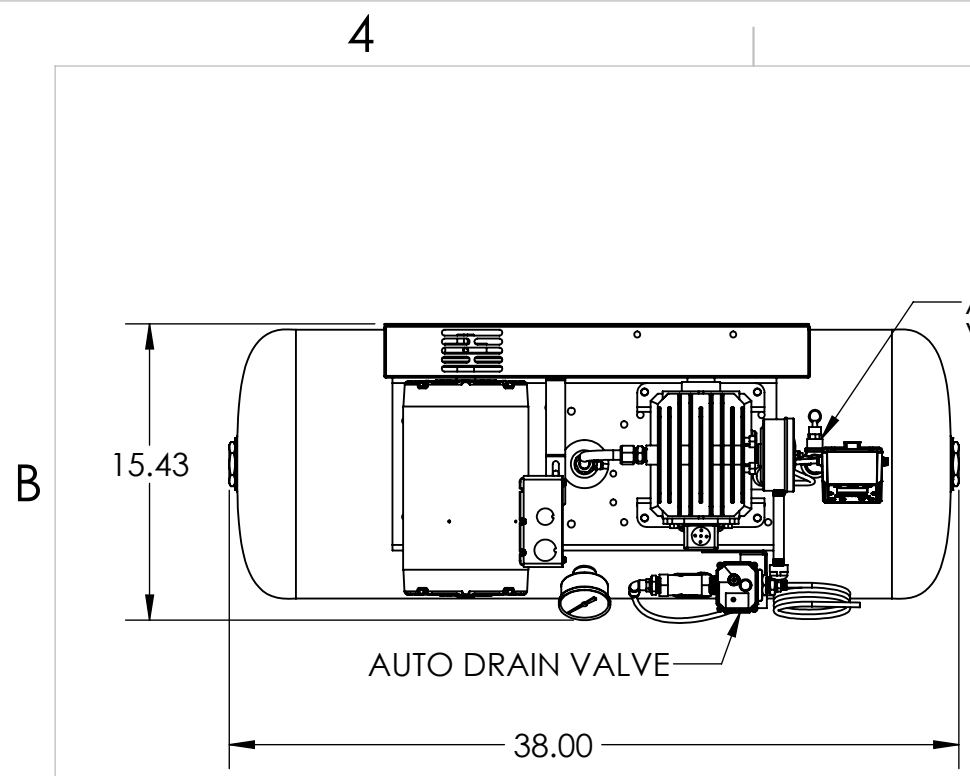
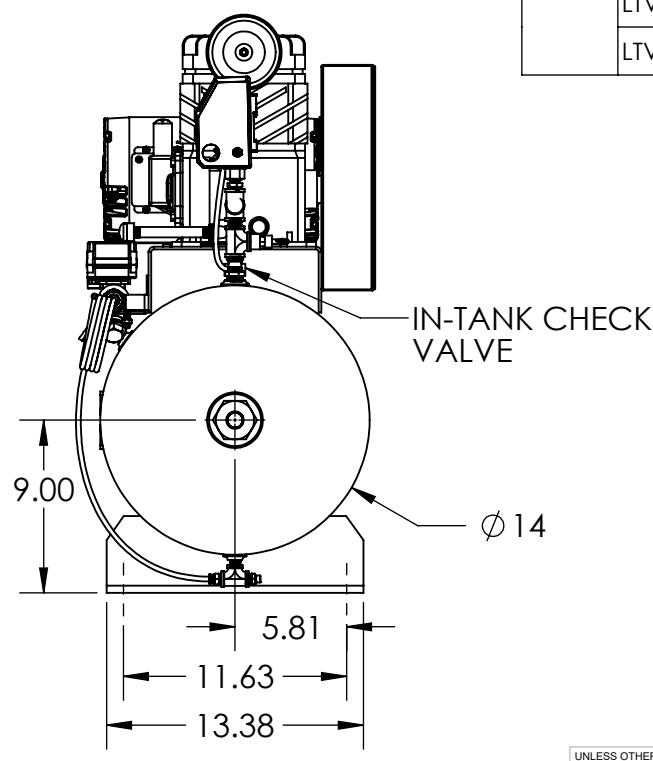
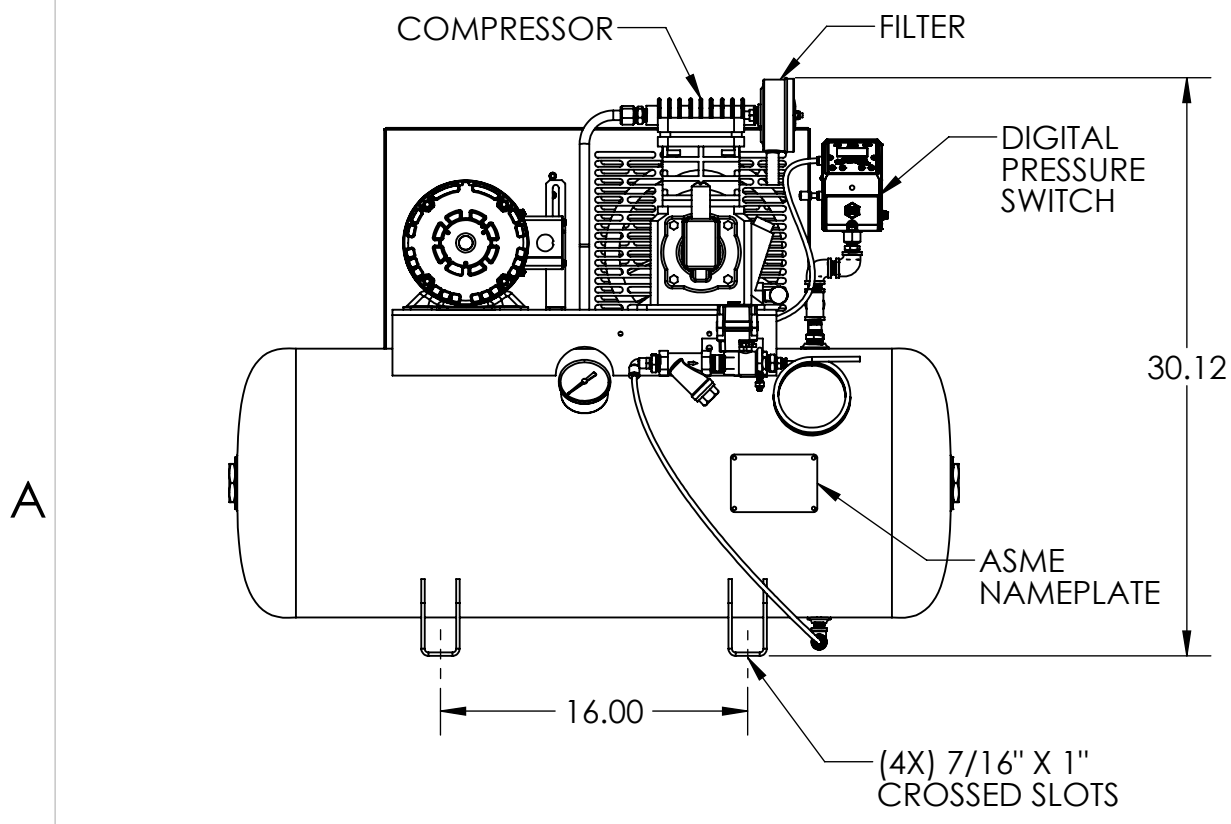


REVISIONS				
ECO	REV	DESCRIPTION	DATE	APPROVED
0613	0	RELEASE OF DRAWING	11/22/21	CJO



HP	MODEL #	VOLTAGE	PRESSURE SWITCH SETTINGS		RELIEF VALVE
			ON	OFF	
2	LTV1220200A	115/208-230V/1PH/60Hz	45 PSIG	60 PSIG	100 PSIG
	LTV1220200B	208-230/460V/3PH/60Hz			
	LTV1220200B-5	575V/3PH/60Hz			
	LTV1220200A-50	220-240V/1PH/50Hz			
	LTV1220200B-50	190/380V/3PH/50Hz			
3	LTV1300300A	115/208-230V/1PH/60Hz	80 PSIG	100 PSIG	150 PSIG
	LTV1300300B	208-230/460V/3PH/60Hz			
	LTV1300300A-HP	115/208-230V/1PH/60Hz			
	LTV1300300B-HP	208-230/460V/3PH/60Hz			



UNLESS OTHERWISE SPECIFIED DIMENSIONS ARE IN INCHES TOLERANCES ARE:

FRACTIONS DECIMALS ANGLES
 ±1 .xx±1.00 ±x°

THIS DRAWING AND ALL OF ITS CONTENTS ARE THE SOLE PROPERTY OF GENERAL AIR PRODUCTS, INC. DETAILS MAY CHANGE WITHOUT NOTICE. THE CONTENTS OF THIS DRAWING MAY NOT BE REPRODUCED OR INCORPORATED IN WHOLE OR IN PART IN ANY EQUIPMENT, NOR THE MANUFACTURE OF ANY PARTS, WITHOUT WRITTEN CONSENT OF GENERAL AIR PRODUCTS, INCORPORATED.

APPROVALS	DATE	TITLE
DRAWN WLW	11/22/21	GENERAL ARRANGEMENT LUBRICATED TANK MOUNT LTV1220200 - LTV1300300 WITH DIGITAL PRESSURE SWITCH
CHECKED CJO	11/22/21	
SCALE NONE	SIZE B	
SHEET 1 OF 1	REV 0	

DWG. NO. **G-221244**