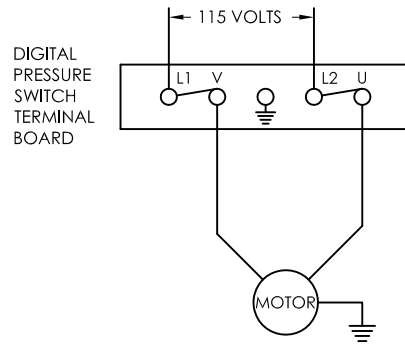
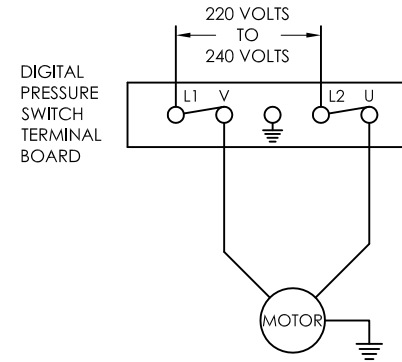


REVISIONS				
ECO	REV	DESCRIPTION	DATE	APPROVED
0664	0	RELEASE OF DRAWING	09/26/22	DPH

FOR 115V, 1 PHASE, 60Hz
PRESSURE SWITCH ONLY



FOR 220V TO 240V, 1 PHASE, 50Hz
PRESSURE SWITCH ONLY



NOTES:

- 1) FEEDER WIRE SIZE MUST BE CAPABLE OF CARRYING START-UP CURRENT LOAD AND CURRENT LOAD AT MAXIMUM PRESSURE.
- 2) OTHER WIRING VARIATIONS ARE POSSIBLE. ALWAYS CONSULT LOCAL AND/OR BUILDING CODES FOR REQUIREMENTS.

THIS DRAWING AND ALL OF ITS CONTENTS ARE THE SOLE PROPERTY OF GENERAL AIR PRODUCTS, INC. DETAILS MAY CHANGE WITHOUT NOTICE. THE CONTENTS OF THIS DRAWING, MAY NOT BE REPRODUCED OR INCORPORATED IN WHOLE OR IN PART IN ANY EQUIPMENT, NOR THE MANUFACTURE OF ANY PARTS, WITHOUT WRITTEN CONSENT OF GENERAL AIR PRODUCTS, INCORPORATED.

APPROVALS			DATE	TITLE
DRAWN	WLW		09/26/22	 WIRING INSTRUCTIONS 1PHASE, 50Hz & 60Hz QUIET COMPRESSORS WITH DIGITAL PRESSURE SWITCH
CHECKED	DPH		09/26/22	
SCALE	NONE		SHEET	
SHEET	1 OF 1		B	
DWG. NO.			E-222267	REV 0