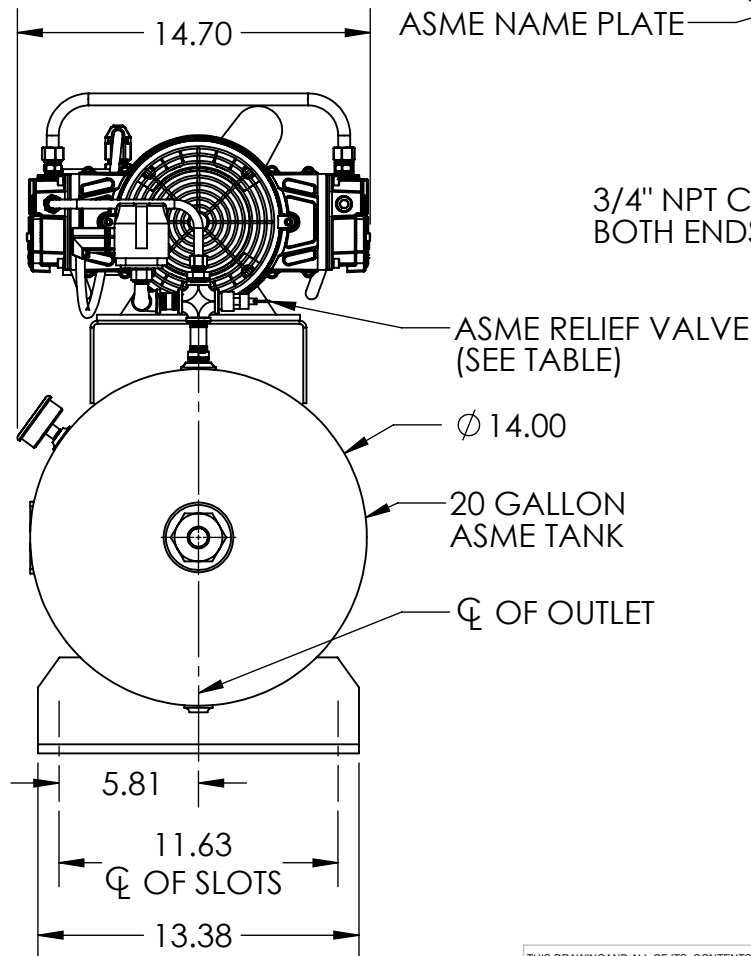
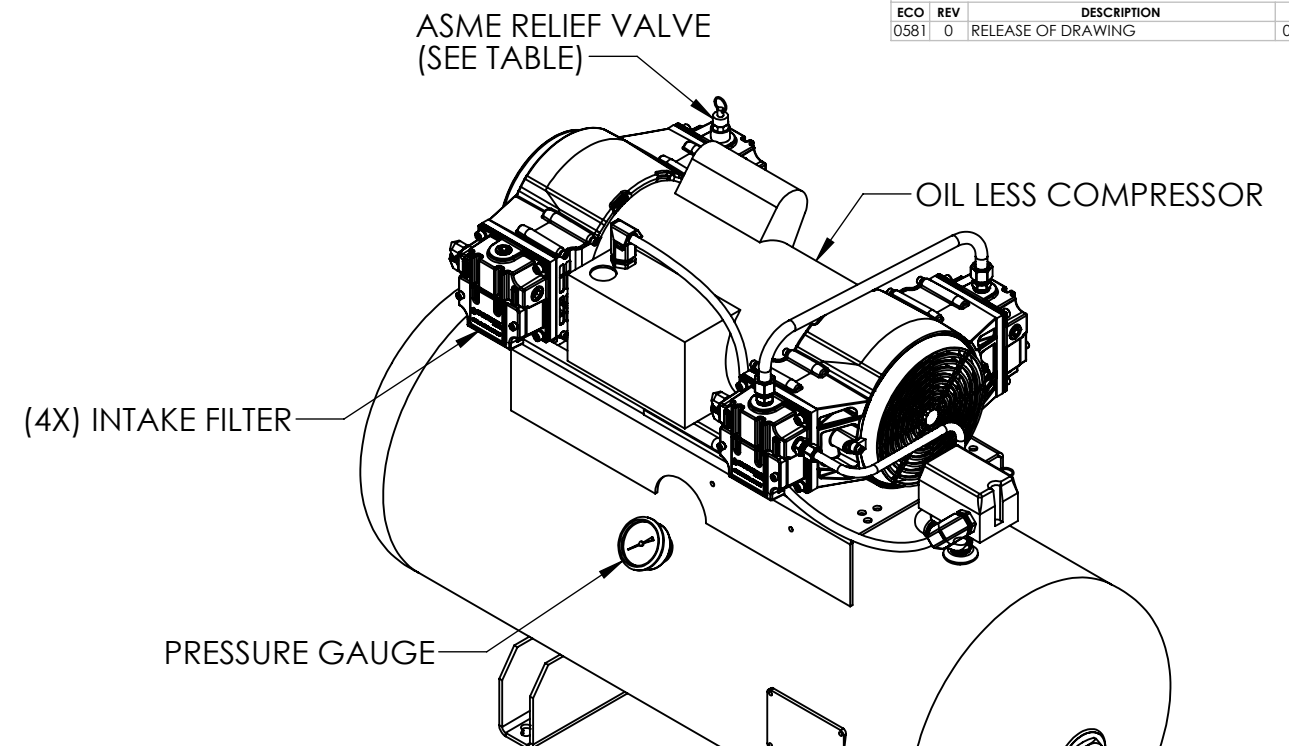
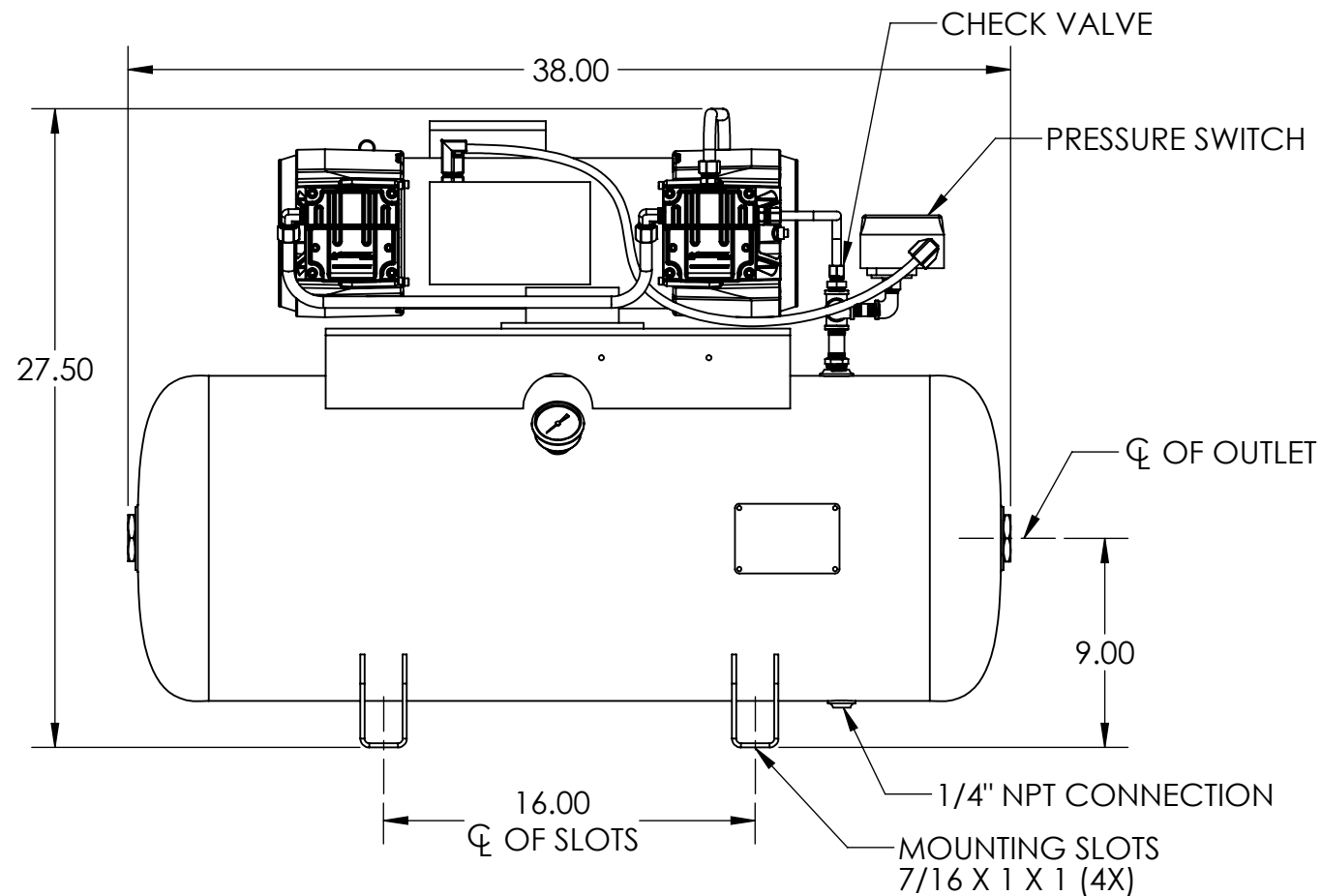


MOTOR	MODEL	VOLTAGE	PRESSURE SWITCH SETTINGS		RELIEF VALVE	NET WEIGHT	REBUILD KIT #
			ON	OFF			
1-1/2 HP	OLT915150AC	115/208-230V/1PH/60HZ	27 - 30 PSIG	40 - 44 PSIG	75 PSIG	128 LBS.	OLC-RK
	OLT915150AC-HP		80 PSIG	100 PSIG	125 PSIG		
	OLT915150BC	208-230/460V/3PH/60HZ	27 - 30 PSIG	40 - 44 PSIG	75 PSIG		
	OLT915150BC-HP		80 PSIG	100 PSIG	125 PSIG		
	OLT915150AC-50	220-240V/1PH/50HZ	27 - 30 PSIG	40 - 44 PSIG	75 PSIG		
	OLT915150AC-HP-50		80 PSIG	100 PSIG	125 PSIG		
2 HP	OLT1225200AC	208-230V/1PH/60HZ	27 - 30 PSIG	40 - 44 PSIG	75 PSIG	138 LBS.	OLC-RK
	OLT1225200BC	208-230/460V/3PH/60HZ	27 - 30 PSIG	40 - 44 PSIG	75 PSIG		
	OLT1100200AC-HP	208-230V/1PH/60HZ	80 PSIG	100 PSIG	125 PSIG		
	OLT1100200BC-HP	208-230/460V/3PH/60HZ	80 PSIG	100 PSIG	125 PSIG		
	OLT1225200AC-50	220-240V/1PH/50HZ	27 - 30 PSIG	40 - 44 PSIG	75 PSIG		
	OLT1100200AC-HP-50		80 PSIG	100 PSIG	125 PSIG		

NOTES:

1. COMPRESSOR APPEARANCE MAY VARY.
2. DIMENSIONS ARE SUBJECT TO CHANGE WITHOUT NOTICE.
3. ALL PIPING MUST BE INDEPENDENTLY SUPPORTED TO AVOID ANY UNDO STRESS ON COMPRESSOR HEAD.
4. REBUILD KIT (OLC-RK) CONSISTS OF REPLACEMENT CYLINDER, CUP, & INTAKE FILTER.



REVISIONS				
ECO	REV	DESCRIPTION	DATE	APPROVED
0581	0	RELEASE OF DRAWING	06-08-21	DPH

UNLESS OTHERWISE SPECIFIED DIMENSIONS ARE IN INCHES TOLERANCES ARE:

FRACTIONS	DECIMALS	ANGLES
±X	.xx ±1.00	±1°

THIS DRAWING AND ALL OF ITS CONTENTS ARE THE SOLE PROPERTY OF GENERAL AIR PRODUCTS, INC. DETAILS MAY CHANGE WITHOUT NOTICE. THE CONTENTS OF THIS DRAWING MAY NOT BE REPRODUCED OR INCORPORATED IN WHOLE OR IN PART IN ANY EQUIPMENT, NOR THE MANUFACTURE OF ANY PARTS, WITHOUT WRITTEN CONSENT OF GENERAL AIR PRODUCTS, INCORPORATED.

GENERAL AIR PRODUCTS

APPROVALS	DATE	TITLE:
DRAWN WLW	06/08/21	GENERAL ARRANGEMENT 4 CYLINDER OIL LESS FIRE PROTECTION TANK MOUNT COMPRESSOR WITH MECHANICAL PRESSURE SWITCH
CHECKED DPH	06/08/21	
SCALE NONE	SIZE B	
SHEET 1 OF 1		

DWG. NO. **G-221129** REV **0**