

4

3

2

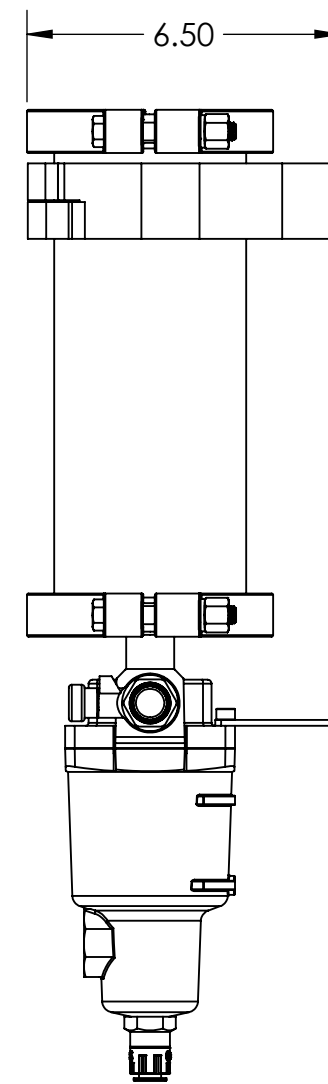
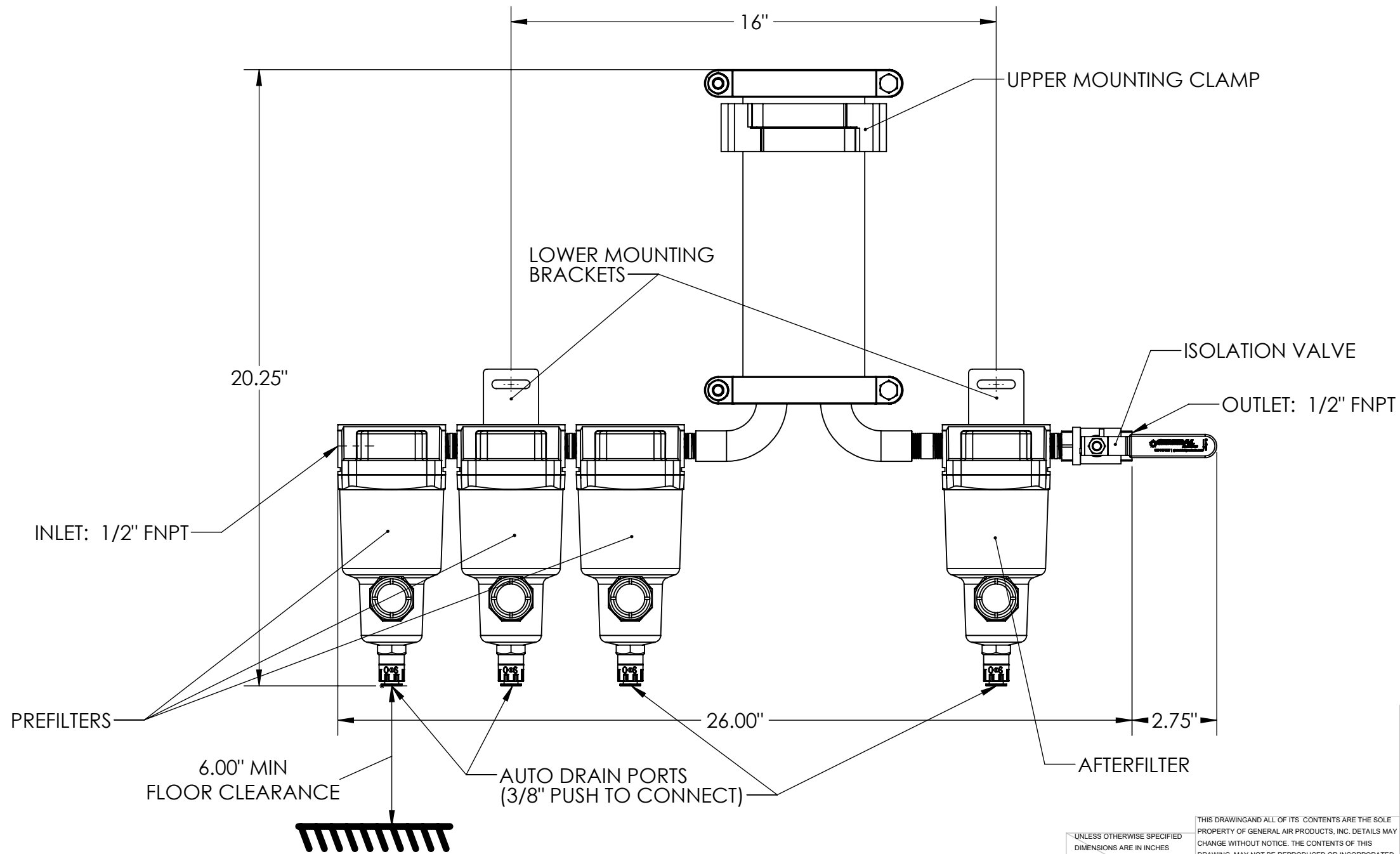
1

B

B

A

A



UNLESS OTHERWISE SPECIFIED  
DIMENSIONS ARE IN INCHES  
TOLERANCES ARE:  
FRACTIONS ±X DECIMALS .XX±0.5 ANGLES ±X°

THIS DRAWING AND ALL OF ITS CONTENTS ARE THE SOLE PROPERTY OF GENERAL AIR PRODUCTS, INC. DETAILS MAY CHANGE WITHOUT NOTICE. THE CONTENTS OF THIS DRAWING MAY NOT BE REPRODUCED OR INCORPORATED IN WHOLE OR IN PART IN ANY EQUIPMENT, NOR THE MANUFACTURE OF ANY PARTS, WITHOUT WRITTEN CONSENT OF GENERAL AIR PRODUCTS, INCORPORATED.

APPROVALS	DATE	TITLE:
DRAWN MAL	1/11/2023	GENERAL ARRANGEMENT VPS-500
CHECKED		
SCALE 1:4	SIZE B	DWG. NO. G-222307
SHEET 1 OF 1		REV 0

4

3

2

1