

Oil-Less Riser Mount Fire Protection Air Compressors

for **Low Pressure** Dry Pipe & Pre-Action Sprinkler Systems.

OL Plus Series

General Air Products newly improved Low Pressure OL Plus Series Oil Less Riser Mount Fire Protection Air Compressors are UL 1450-VDUR Listed and specifically designed to fill dry pipe and pre-action fire sprinkler systems to 20 PSI within 30 minutes per NFPA 13.



Includes Riser Mounting Bracket, 30" Stainless Steel Flex Hose & Union.



| System Capacity (gal)* @20 PSI | Model Number | CFM @10 PSIG | Motor HP | Voltage (volts) | Amperage (amps) | | Recommended Wire Size (gauge) | | | Unit Weight (lbs) |
|--------------------------------|----------------------------------|-------------------|----------|-----------------|-----------------|----------|-------------------------------|---------|----------|-------------------|
| | | | | | FLA | Start Up | 25' Run | 50' Run | 100' Run | |
| 320 | OLR32016AC-LP | 1.94 | 1/6 | 115 | 3.3 | 23 | 12 | 12 | 12 | 29 |
| | | | | 208-230 | 1.8 | 13 | 12 | 12 | 12 | |
| 550 | OLR55033AC-LP | 3.33 | 1/3 | 115 | 3.5 | 25 | 12 | 12 | 10 | 33 |
| | | | | 208-230 | 1.9 | 13 | 12 | 12 | 12 | |
| 860 | OLR86050AC-LP | 5.21 | 1/2 | 115 | 9.4 | 66 | 12 | 10 | 6 | 45 |
| | | | | 208-230 | 4.9 | 34 | 12 | 12 | 12 | |
| 995 | OLR99575AC-LP⁺ | 6.06 ⁺ | 3/4 | 115 | 9.9 | 69 | 12 | 10 | 6 | 45 |
| | | | | 208-230 | 5.1 | 36 | 12 | 12 | 12 | |

Features and Benefits

- UL 1450-VDUR Listed
- Oil-Less Piston Compressor
- UL Listed, Pre-Set Pressure Switch
- Fully Automatic, Direct Drive
- ASME Pressure Safety Valve
- Bubble Tight Air Check Valve
- Pre-Wired & Pre-Tested
- Lifetime Technical Support
- Includes Riser Mounting Bracket, 30" Stainless Steel Flex Hose & Union

* System Capacity based on 30min fill-time at 70° F system temperature.

⁺ Compressor has a capacity above 5.5 CFM @ 10 PSIG. A listed Air Maintenance Device is required on systems supervised by this compressor per NFPA 13.

Note: All information is subject to change without notice. Consult factory for most up-to-date product details.

WARNING: Cancer and Reproductive Harm – www.p65warnings.ca.gov

OL Plus Series Low Pressure Riser Mount Fire Protection Air Compressors Accessories

VAPOR PIPE SHIELD



Vapor Pipe Shield is a Patented and UL Listed innovative solution for the prevention of corrosion in Dry-Pipe & Pre-Action Fire Sprinkler Systems.

AIR MAINTENANCE DEVICE



Part # AMD-1

The AMD-1 regulates the volume of air being delivered to the sprinkler system by the air compressor.

Per NFPA 13 - An Air Maintenance Device is required on every dry system unless the air compressor has a capacity less than 5.5 ft³/min at 10 PSI.

MOTOR LINE STARTER



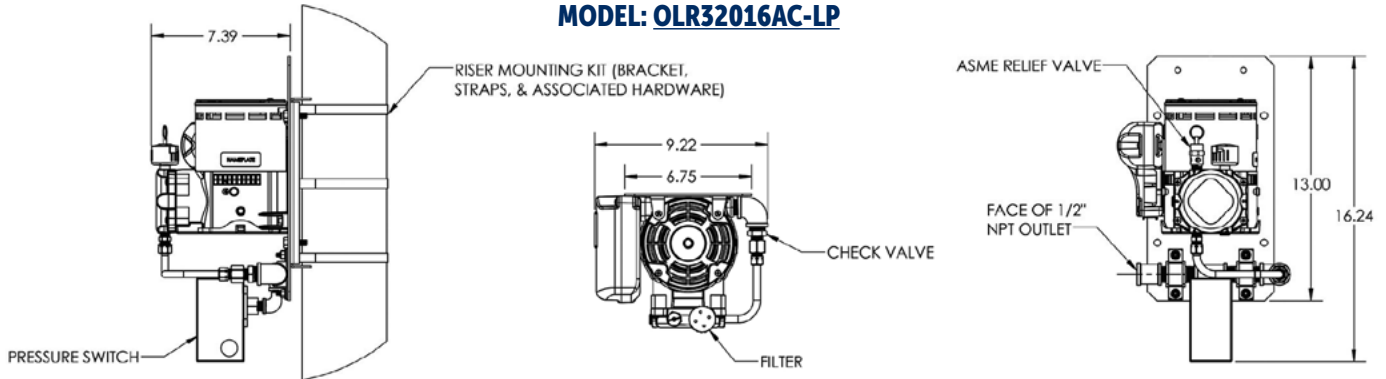
Thermal Overload Protection

| MAX HP | SINGLE PHASE MOTOR LINE STARTERS | | | Model |
|--------|----------------------------------|----------|------|-------|
| | 115V | 208-230V | Size | |
| 1/3 HP | 1 HP | 00 | | MG00A |
| 1 HP | 2 HP | 0 | | MGX0A |
| 2 HP | 3 HP | 1 | | MG01A |
| 3 HP | 5 HP | 1P | | MG15A |

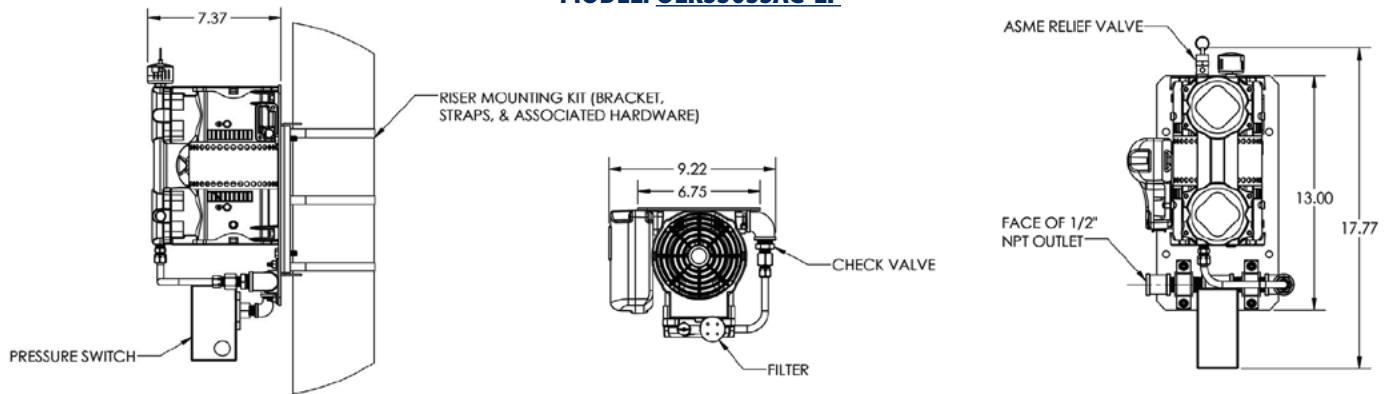
When Ordering a Motor Starter you must specify HP, Voltage & Phase.

OL Plus Series Low Pressure Riser Mount Fire Protection Air Compressors

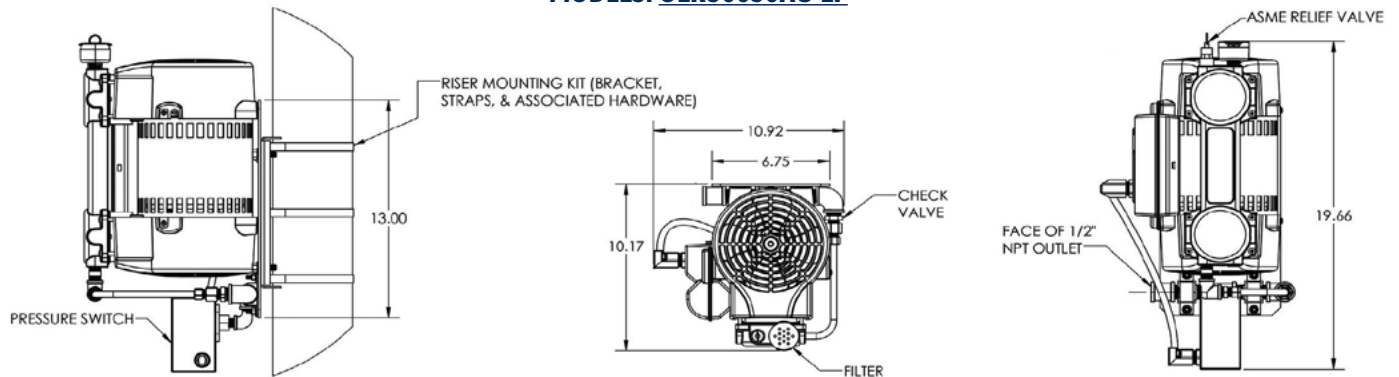
MODEL: OLR32016AC-LP



MODEL: OLR55033AC-LP



MODELS: OLR86050AC-LP



MODELS: OLR99575AC-LP

