

### Oil-Less Riser Mount Digital Fire Protection Air Compressors for Dry Pipe & Pre-Action Sprinkler Systems.

**OL Advance Series**



Our OL Advance Series Riser Mount Digital Air Compressors Feature an all-new, UL-508 Listed, General Air Products Digital Pressure Switch. Our digital pressure switch makes it easy to adjust and maintain pressure from low, standard or high pressure, while cutting down on setup time.

**PRE-SET PRESSURES FOR EASY INSTALLATION**

<b>Low Pressure</b>	<b>Standard Pressure</b>	<b>High Pressure</b>
<b>13/18</b>	<b>27/40</b>	<b>80/100</b>

Easily adjust to any custom setting with the push of a button.



Includes Riser Mounting Bracket, 30" Stainless Steel Flex Hose & Union.



System Capacity (gal)*		Model Number	CFM @10 PSIG	Motor HP	Voltage (volts)	Amperage (amps)		Recommended Wire Size (gauge)			Unit Weight (lbs)
@18 PSI	@40 PSI					FLA	Start Up	25' Run	50' Run	100' Run	
320	120	<b>OLRV12016AC</b>	1.46	1/6	115	3.8	27	12	12	12	29
					208-230	2.2	15	12	12	12	
695	250	<b>OLRV25033AC</b>	3.03	1/3	115	4.3	30	12	12	10	33
					208-230	2.3	16	12	12	12	
1160	400	<b>OLRV40050AC</b>	4.85	1/2	115	9.4	66	12	10	6	45
					208-230	4.9	34	12	12	12	
1270	500	<b>OLRV50075AC<sup>+</sup></b>	6.06 <sup>+</sup>	3/4	115	9.9	69	12	10	6	45
					208-230	5.1	36	12	12	12	
1575	600	<b>OLRV600100AC<sup>+</sup></b>	7.28 <sup>+</sup>	1	115	11.3	79	12	10	6	45
					208-230	5.7	40	12	12	12	

### Features and Benefits

- UL 1450-VDUR Listed
- Oil-Less Piston Compressor
- UL Listed, Digital Pressure Switch
- Displays Pressure Readings
- Displays & Records Run Hours
- Displays Amperage
- Displays & Records Cycles
- Fully Automatic, Direct Drive
- ASME Pressure Safety Valve
- Bubble Tight Air Check Valve
- Pre-Wired & Pre-Tested
- Lifetime Technical Support
- Annual Automated Maintenance Reminders

\* System Capacity based on 30min fill-time at 70° F system temperature.

<sup>+</sup> Compressor has a capacity above 5.5 CFM @ 10 PSIG. A listed Air Maintenance Device is required on systems supervised by this compressor per NFPA 13.

**Note:** All information is subject to change without notice. Consult factory for most up-to-date product details.

 **WARNING:** Cancer and Reproductive Harm – [www.p65warnings.ca.gov](http://www.p65warnings.ca.gov)

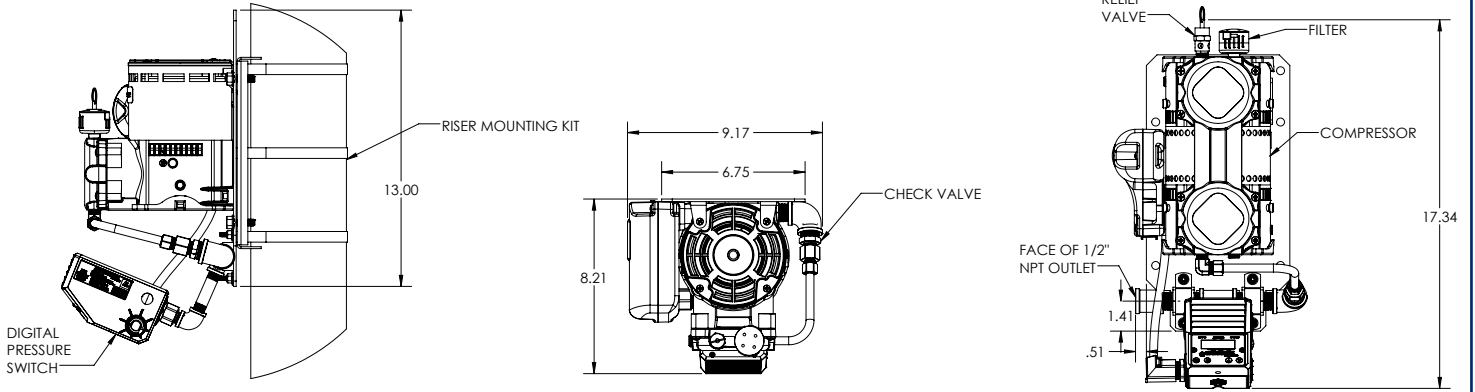
### System Capacity (gal) by System Pressure

Model Number	@20 PSI	@30 PSI	@40 PSI	@50 PSI	@60 PSI	@70 PSI	@80 PSI	@90 PSI	@100 PSI
<b>OLRV12016AC</b>	265	170	120	95	75	65	55	45	40
<b>OLRV25033AC</b>	565	350	250	190	155	125	105	90	75
<b>OLRV40050AC</b>	930	595	400	325	255	215	180	155	135
<b>OLRV50075AC</b>	1030	655	500	360	290	240	200	170	145
<b>OLRV600100AC</b>	1250	790	600	435	350	285	240	210	180

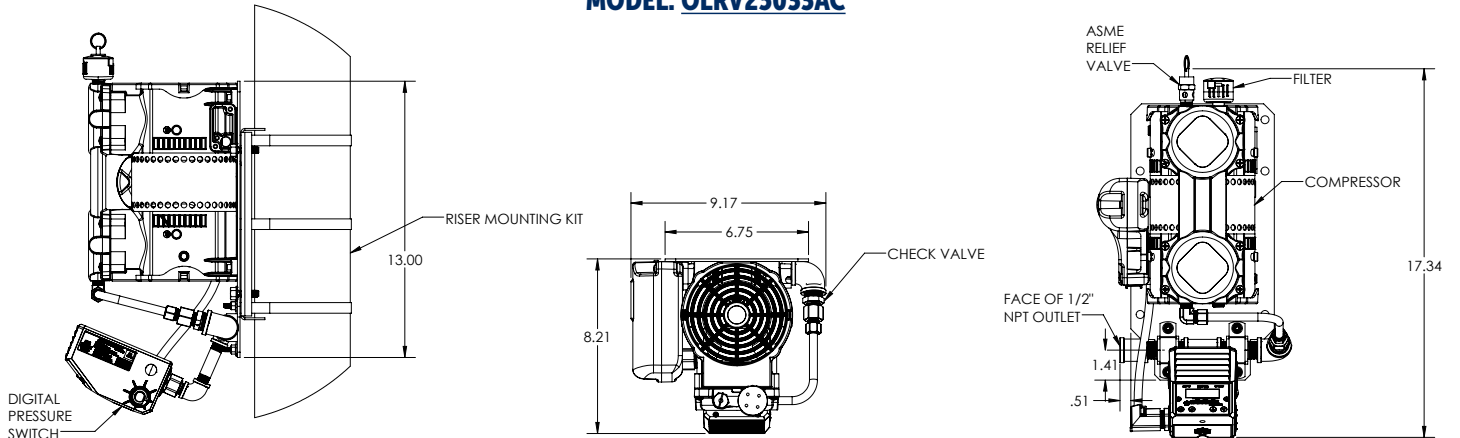
The OL Advance Series Digital Fire Protection Air Compressors are UL 1450-VDUR Listed and specifically designed to fill dry pipe and pre-action fire sprinkler systems to supervisory pressure within 30 minutes per NFPA 13.

## OL Advance Series Riser Mount Digital Fire Protection Air Compressors

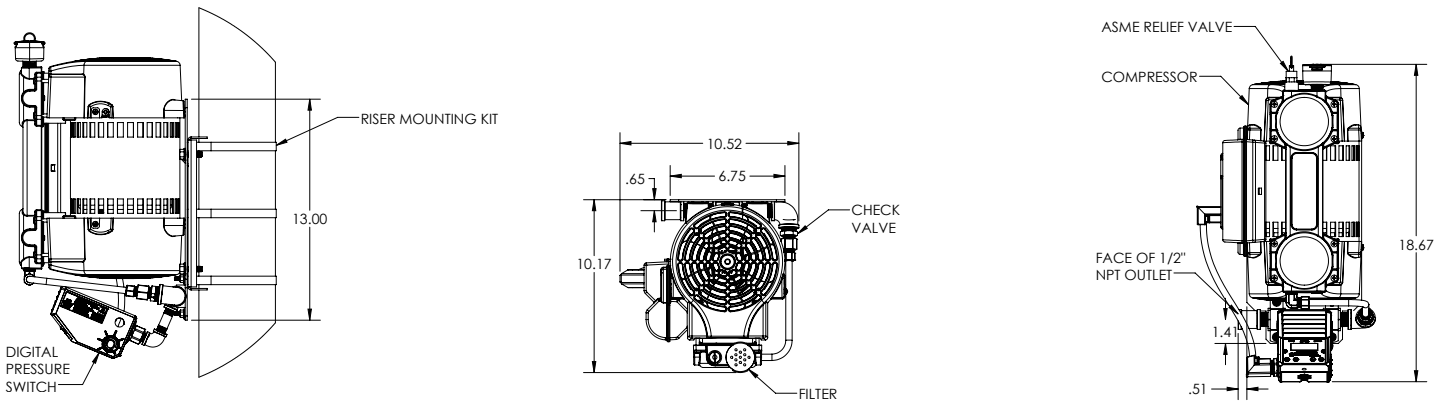
**MODEL: OLRV12016AC**



**MODEL: OLRV25033AC**



**MODELS: OLRV40050AC | OLRV50075AC | OLRV600100AC**



## OL Advance Series Riser Mount Digital Fire Protection Air Compressors Accessories

### VAPOR PIPE SHIELD



Vapor Pipe Shield is a Patented and UL Listed innovative solution for the prevention of corrosion in Dry-Pipe & Pre-Action Fire Sprinkler Systems.

### AIR MAINTENANCE DEVICE



Part # AMD-1

The AMD-1 regulates the volume of air being delivered to the sprinkler system by the air compressor.

*Per NFPA 13 - An Air Maintenance Device is required on every dry system unless the air compressor has a capacity less than 5.5 ft<sup>3</sup>/min at 10 PSI.*

### MOTOR LINE STARTER



#### Thermal Overload Protection

MAX HP	SINGLE PHASE MOTOR LINE STARTERS			
	115V	208-230V	Size	Model
1/3 HP	1 HP	00	MG00A	
1 HP	2 HP	0	MGX0A	
2 HP	3 HP	1	MG01A	
3 HP	5 HP	1P	MG15A	

*When Ordering a Motor Starter you must specify HP, Voltage & Phase.*