

Electrical  
specs on  
page 2



## L Plus Series - Three Phase Base Mounted Air Compressors for Dry Pipe Sprinkler Systems

# L Plus Series

This base mounted air compressor is specifically designed to fill systems to 40 PSI in 30 minutes as per NFPA 13



- Single Stage Air Cooled Pump
- Fan Type Compressor Pulley
- Integral Air Filter
- Enclosed Belt Guard
- Pressure Relief Valve
- High Pressure Models Available
- NEMA Standard Multi-Voltage Motors
- Specially Formulated Compressor Oil Included
- **30" Stainless Steel Flex Hose (NEW)**
- **Vibration Isolation Pads (NEW)**

System Capacity (gal) +	Model Number	Average CFM *	Motor HP	Recommended Wire Size ++	Dimensions			Weight (lbs)
					L	W	H	
200	L20033B	2.43	1/3	12	23	11	13	58
365	L36575B	4.43	3/4	12	23	11	13	68
425	L425100B	5.15	1	12	23	11	13	70
620	L620100B	7.91	1	10	23	14	15	95
900	L900150B	10.91	1 1/2	10	23	14	15	106
1000	L1220200B	14.80	2	10	23	15	15	115
1300	L1300300B	15.76	3	8	23	15	15	115
1600	L1600300B	19.40	3	8	34	16	28	269
2000	L2000500B	24.25	5	6	34	16	28	278
2500	L2500500B	30.32	5	6	34	16	28	299

### Accessories:



**Air Maintenance Device - Part # AMD-2**  
The AMD-2 is required for operation of all L Series Units. The AMD-2 is used for automatic operation in conjunction with a dedicated air compressor for the sprinkler system, such as base units.

### Motor Line Starters - Thermal Overload Protection

#### Three Phase

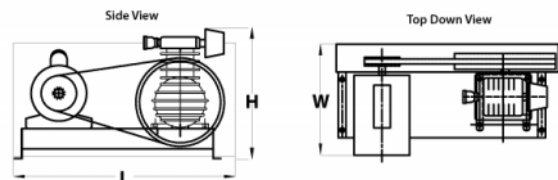
Maximum HP	208/230V	460V	Size	Model
	1 1/2 HP	2 HP	00	MG00B
	3 HP	5 HP	0	MGX0B
	7 1/2 HP	10 HP	1	MG01B

When Ordering a Motor Starter you must specify HP, Voltage and Phase that is supplied to the motor.

### Notes:

- + System Capacity based on 70°F system temperature.
- \* Average CFM is the average free air delivery from 0 to 40 PSIG
- ++ Recommended Wire Sizes based on 100ft run. consult factory for longer or shorter runs.

**VOLTAGE** - All Three Phase Units: 208-230/460 VAC





## L Plus Series - Three Phase Base Mounted Fire Protection Air Compressor Electrical Cut Sheet



This base mounted air compressor is specifically designed to fill systems to 40 PSI in 30 minutes as per NFPA 13



Model Number	Nominal HP	Factory Wired Voltage	Amperage (amps)				Recommended Wire Size Based on Run Length (gage)		
			Voltage	FLA	Start Up	Breaker Size	25 FT	50 FT	100 FT
L20033B	1/3	460	208	1.5	10.5	15	12	12	12
			230	1.6	11.2	15	12	12	12
			460	0.8	5.6	15	12	12	12
L29050B	1/2	460	208	2.1	14.7	15	12	12	12
			230	2.2	15.4	15	12	12	12
			460	1.1	7.7	15	12	12	12
L36575B	3/4	460	208	3	21	15	12	12	12
			230	2.8	19.6	15	12	12	12
			460	1.4	9.8	15	12	12	12
L425100B	1	460	208	3.7	25.9	15	12	12	12
			230	3.7	25.9	15	12	12	12
			460	1.8	12.9	15	12	12	12
L620100B	1	460	208	4.5	31.5	15	12	12	10
			230	4.4	30.8	15	12	12	12
			460	2.2	15.4	15	12	12	12
L900150B	1 1/2	460	208	4.5	31.5	15	12	12	10
			230	4.4	30.8	15	12	12	12
			460	2.2	15.4	15	12	12	12
L1220200B	2	460	208	6	42	15	12	12	10
			230	5.8	40.6	15	12	12	12
			460	2.9	20.3	15	12	12	12
L1300300B	3	460	208	9.2	64.4	15	12	10	8
			230	8.6	60.2	15	12	12	12
			460	4.3	30.1	15	12	12	12
L1600300B	3	460	208	8.1	56.7	15	12	10	8
			230	7.8	54.6	15	12	12	12
			460	3.9	27.3	15	12	12	12
L2000500B	5	460	208	13.2	92.4	15	12	8	6
			230	12.4	86.8	15	12	12	10
			460	6.2	43.4	15	12	12	12
L2500500B	5	460	208	13.2	92.4	15	12	8	6
			230	12.4	86.8	15	12	12	10
			460	6.2	43.4	15	12	12	12

**Note:**

Wire sizes are based on maintaining 90% of the nominal voltage at starting amps. Starting amps are assumed to be 6 times the SFA.

**Warning:**

Failure to consult with a licensed electrical professional can result in serious personal injury or death. Disconnect all power before servicing. Undersized wire between the motor and the power source will limit the starting and load carrying abilities of the motor causing motor overheating and permanent damage to the motor. Wire sizes listed are recommendations only - consult the National Electric Code (NEC) and any applicable local electrical safety codes. The NEC and GAP recommends a maximum voltage drop of 3%. Install motors and related equipment in accordance with the National Electrical Code (NEC) local electrical safety codes and practices. **It is always the electrician's responsibility to determine and install a wire size that ensures motors can start and run well.**

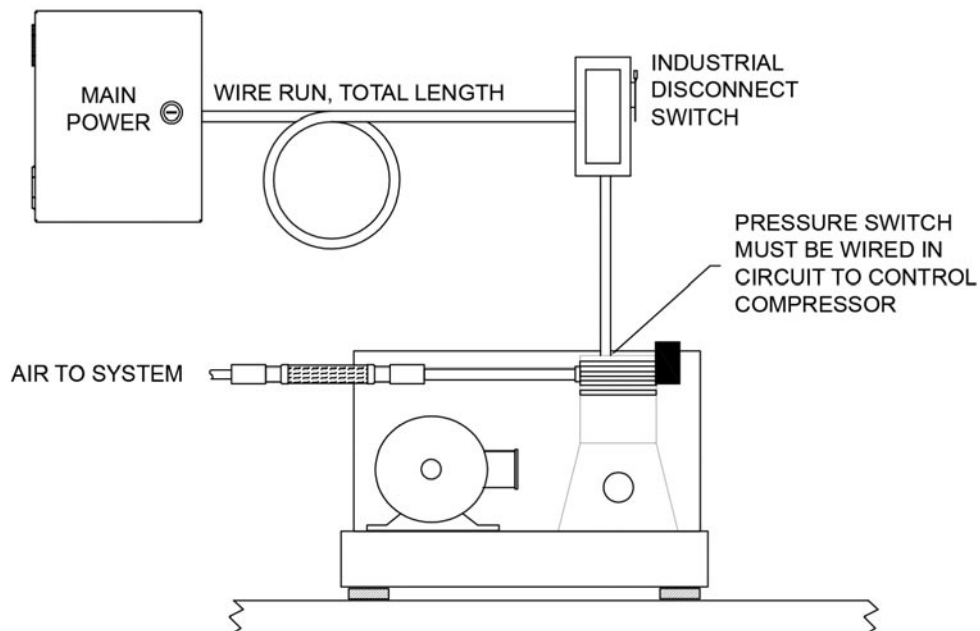
## L Plus Series - Connection Diagram

**L Plus Series**

This base mounted air compressor is specifically designed to fill systems to 40 PSI in 30 minutes as per NFPA 13



### System Layout



### AMD-2 Required for Use



**Note:**

Model AMD-2 Air Maintenance Device is used for automatic operation in conjunction with a dedicated fire protection air compressor that does not have a pressure switch installed. The AMD-2 is rated for 175 PSI.

**Warning:**

Failure to consult with a licensed electrical professional can result in serious personal injury or death. Disconnect all power before servicing. Undersized wire between the motor and the power source will limit the starting and load carrying abilities of the motor causing motor overheating and permanent damage to the motor. Wire sizes listed are recommendations only - consult the National Electric Code (NEC) and any applicable local electrical safety codes. The NEC and GAP recommends a maximum voltage drop of 3%. Install motors and related equipment in accordance with the National Electrical Code (NEC) local electrical safety codes and practices. **It is always the electrician's responsibility to determine and install a wire size that ensures motors can start and run well.**