

ALL-IN-ONE NFPA 13D RESIDENTIAL PUMP & TANK SYSTEM

Designed to meet NFPA 13D requirements, the H2hOme® is a sleek, all-in-one system delivering the pressure and flow needed for residential fire sprinklers. It features a corrosion-resistant stainless steel pump, a removable slide-out pump assembly, and a slim tank for easy transport and installation.

The system includes a riser manifold kit and a built-in digital pressure switch, eliminating the need for a separate control panel. Efficient, reliable, and easy to install, it's backed by strong customer support.

### Features and Benefits

- All-In-One Unit With Small Footprint
- 425 & 325 Gallon Narrow Water Tank
- Easily Removable Pump Assembly
- All Stainless Steel Pump
- Designed & Built For Fast Installation
- Riser Manifold Kit Included
- Digital Pressure Switch Now Standard
- Lifetime Customer Service & Tech Support



### 425 Gallon Tank

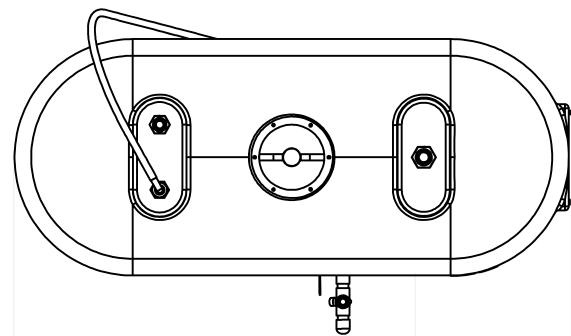
Model	Pump Motor				
	HP	PH	HZ	Volts	Amp Draw
H2H425-E01	¾	Single	60	240	5.2
H2H425-E04	1½	Single	60	240	9.1
H2H425-A04	2	Single	60	240	11.2
H2H425-A06	3	Single	60	240	12.8

### 325 Gallon Tank

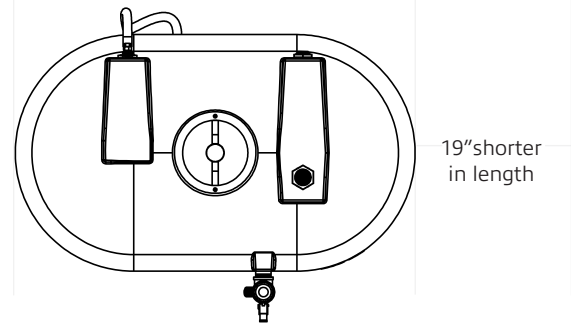
Model	Pump Motor				
	HP	PH	HZ	Volts	Amp Draw
H2H325-E01	¾	Single	60	240	5.2
H2H325-E04	1½	Single	60	240	9.1
H2H325-A04	2	Single	60	240	11.2
H2H325-A06	3	Single	60	240	12.8

### Tank Top Down View

Dimensions: 68" L x 29" W x 76" H



Dimensions: 49" L x 29" W x 76" H

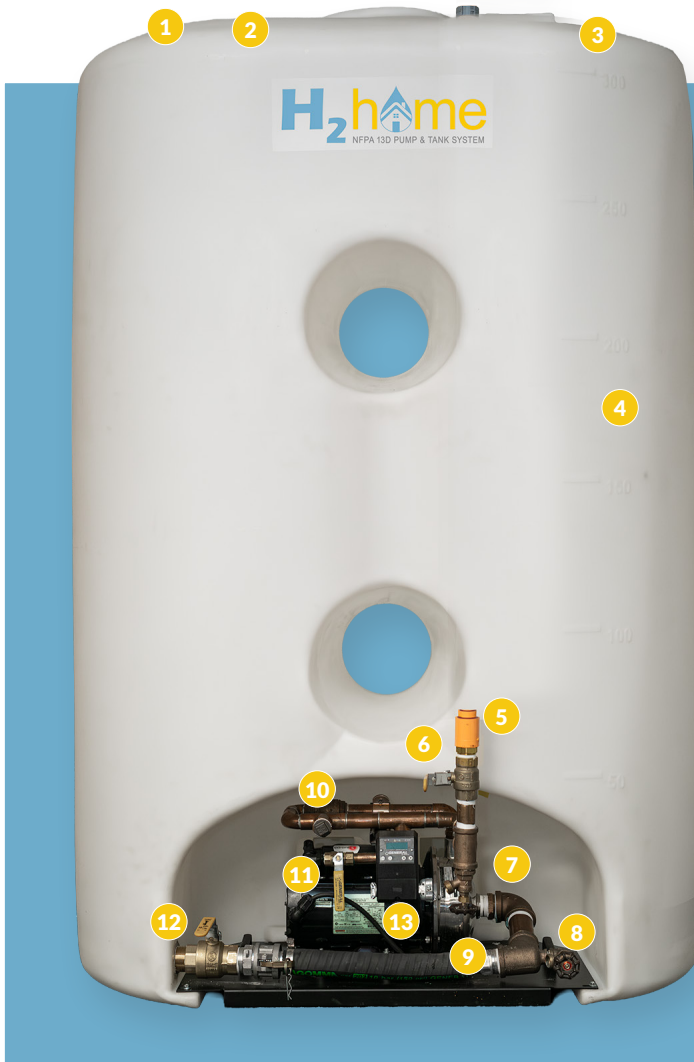


Note: All information is subject to change without notice. Consult factory for most up-to-date product details.

**WARNING:** Cancer and Reproductive Harm – [www.p65warnings.ca.gov](http://www.p65warnings.ca.gov)



**GENERAL**  
AIR PRODUCTS  
[h2home.us](http://h2home.us)  
800.345.8207



- 1 Bulkhead For Overflow
- 2 Bulkhead & Test line
- 3 Bulkhead For Fill With Float Valve
- 4 Tank
- 5 Riser Manifold
- 6 Pump Isolation Valve
- 7 Stainless Steel Pump
- 8 Tank Drain
- 9 System Drain
- 10 Discharge Check Valve
- 11 Pump Test Valve
- 12 Tank Isolation Valve
- 13 Digital Pressure Switch

H2H425-E01 / H2H325-E01 Performance				
<b>GPM</b>	20	25	30	35
<b>PSI</b>	26	24	21	18

H2H425-E04 / H2H325-E04 Performance				
<b>GPM</b>	20	25	30	35
<b>PSI</b>	39	38	36	35

H2H425-A04 / H2H325-A04 Performance										
<b>GPM</b>	0	20	25	30	35	40	45	50	55	60
<b>PSI</b>	64	57	55	52	49	46	43	40	36	33

H2H425-A06 / H2H325-A06 Performance										
<b>GPM</b>	0	20	25	30	35	40	45	50	55	60
<b>PSI</b>	75	68	65	63	60	58	55	51	48	44



#### Digital Pressure Switch

The digital pressure switch eliminates the need for an additional control panel and puts the functionality of the H2hOme® at your fingertips. Visual displays for the unit's status are present as well as a simple push-button to cycle and test the functionality of the pump.

