

# Complete Wiring Instructions for LTV1200150 | LT(V)900150 | L900150 Lubricated Compressor

**LT** *Advance*  
Series



**LT** *Plus*  
Series



**L** *Plus*  
Series



**Section 1 – Introduction / Warnings**

**Section 2 – Wiring for Single Phase**

**Section 3 – Wiring for Three Phase**

## Introduction

General Air Products, Inc. has been an industry leader in quality products and customer service since its creation in 1936. Our persistent effort in meeting the needs of our customers assures that we will continue to lead in these areas. In keeping with these ideas we bring you this comprehensive wiring manual.

Inside you will find pictures and detailed instructions on how to properly wire your Lubricated Tank Mounted Air Compressor.

If you have any questions or problems during the installation process please call us toll free at **1-800-345-8207**.

## Warnings

- All electrical work must be completed by qualified electrician personnel, familiar with local and national codes.
- Motors are Factory wired. Connections for low or high voltage must be set by the installing personnel.
- All units are controlled by the pressure switch. Ensure that the incoming power supply is wired to the pressure switch.
- Magnetic Starters are recommended for all units and are required by electrical code for all Three (3) phase units.
- To ensure proper voltage to the compressor, a voltage reading **MUST** be taken while the compressor is running. We also recommend taking a voltage reading while the compressor is re-starting under load to verify the electrical service capacity.
- The current (amps) drawn by the compressor should be checked in conjunction with above. Starting and re-starting current loads will be higher initially than full load current. Our recommended wire sizes take this into account.
- Adjusting the pressure switch voids warranty – **CONSULT FACTORY**. Adjusting the pressure switch to a higher pressure could overload the motor.
- Beware – Capacitors hold **HIGH Voltage**. Do not handle.
- Motors are NEMA rated, which means they will operate at +/- 10% of name plate rating. The 10 percent applies to low and high voltage, but not 208v. This means motors wired for 208v/230v will operate between 207v and 253v. 200v motors available – consult factory.

**If you experience ANY electrical problems,  
Contact the factory IMMEDIATELY by calling 1-800-345-8207**

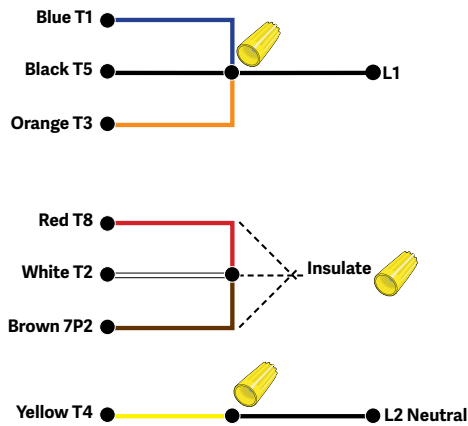
## Section 2

# Wiring Instructions for LTV1200150 – L(T)(V)900150 Model Number: LTV1200150A – L(T)(V)900150A

### Low Voltage 115v

Model LTV1200150 – Single Phase 115v  
Model L(T)(V)900150 – Single Phase 115v

CHECK MOTOR ROTATION IS CLOCKWISE WHEN VIEWED FROM THE BACK OF MOTOR

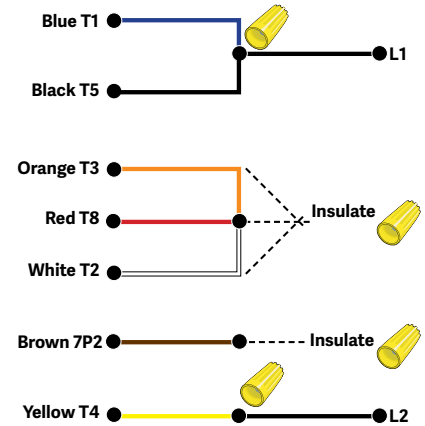


Blue T1	White T2	Orange T3	Yellow T4
Black T5	Red T8	Brown 7P2	

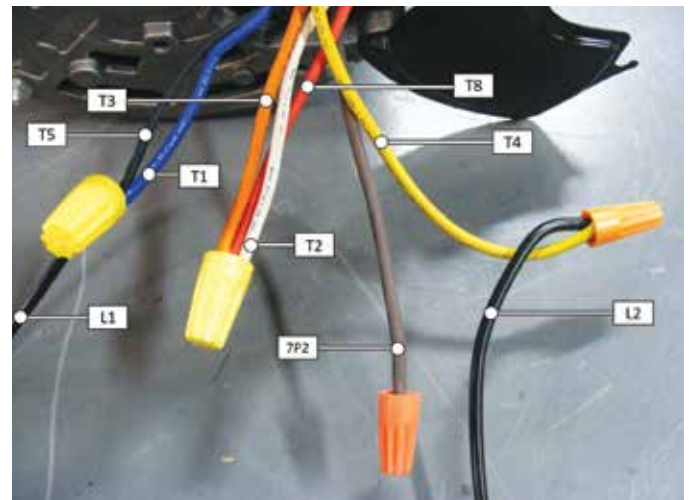
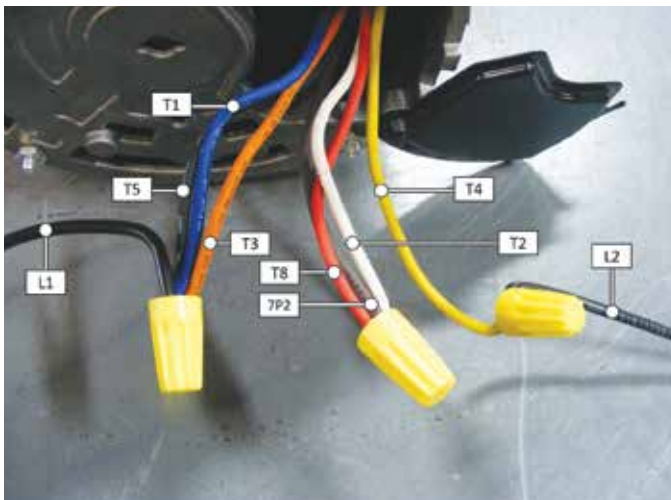
### High Voltage 208–230v

Model LTV1200150 – Single Phase 208–230v  
Model L(T)(V)900150 – Single Phase 208–230v

CHECK MOTOR ROTATION IS CLOCKWISE WHEN VIEWED FROM THE BACK OF MOTOR



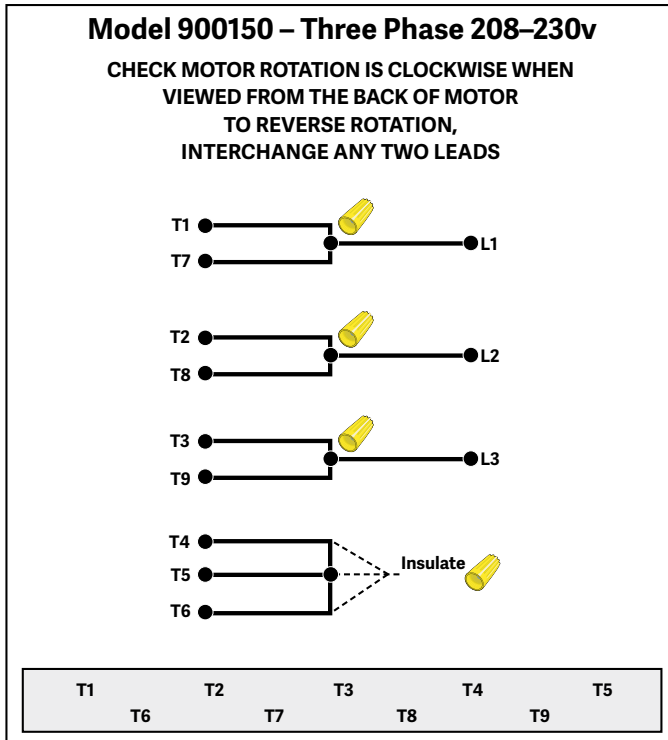
Blue T1	White T2	Orange T3	Yellow T4
Black T5	Red T8	Brown 7P2	



### Section 3

## Wiring Instructions for L(T)900150 Model Number: L(T)900150B

#### Low Voltage 208-230v



#### High Voltage 460v

