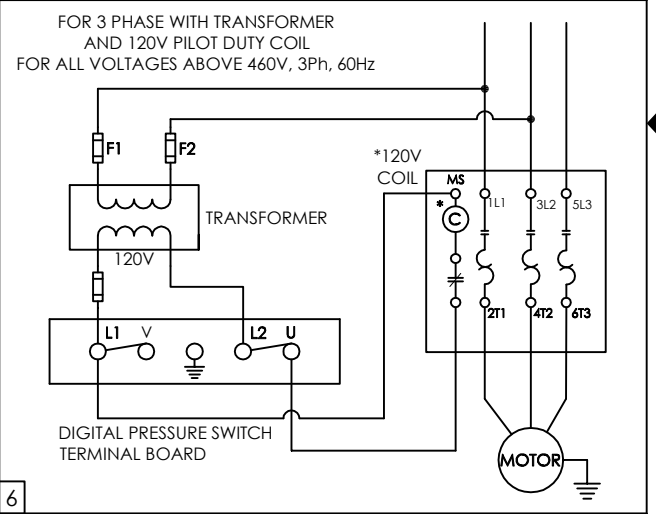
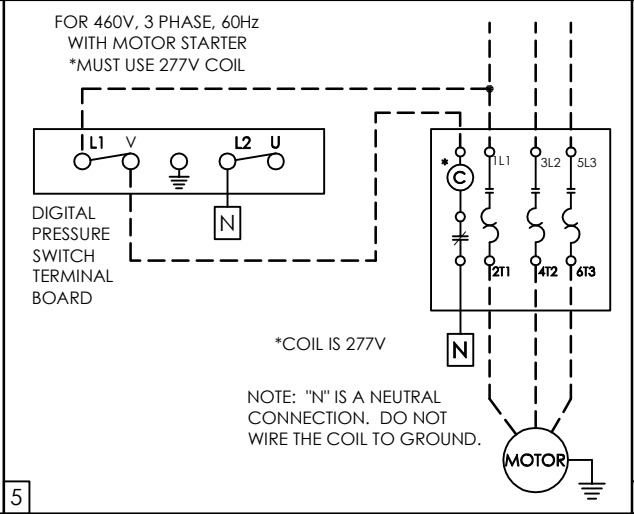
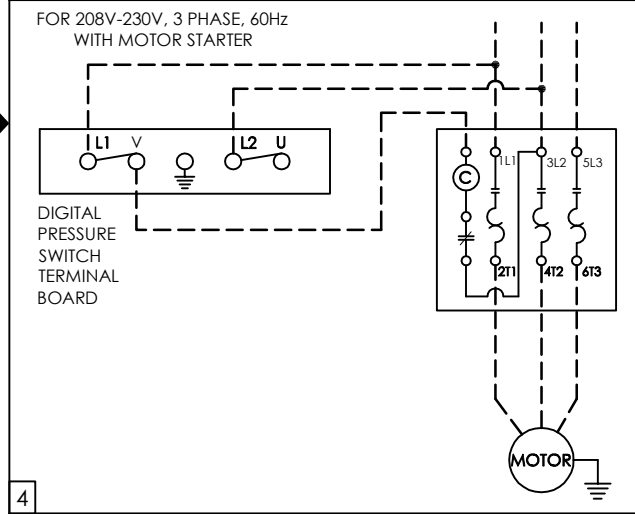


REVISIONS		DATE	APPROVED
ECO	REV	DESCRIPTION	DATE
PEND	0	RELEASE OF DRAWING	08/04/23
			DPH



NOTES:

- 1) MOST MOTORS ARE MULTIPLE VOLTAGE, VERIFY MOTOR INTERNAL CONNECTIONS ARE CORRECT FOR SUPPLY VOLTAGE.
- 2) FEEDER WIRE SIZE MUST BE CAPABLE OF CARRYING START-UP CURRENT LOAD AND CURRENT LOAD AT MAXIMUM PRESSURE.
- 3) PRESSURE SWITCH TO CONTROL COIL CIRCUIT, IF A MOTOR STARTER IS USED.
- 4) OTHER WIRING VARIATIONS ARE POSSIBLE. ALWAYS CONSULT LOCAL AND/OR BUILDING CODES FOR REQUIREMENTS.
- 5) - - - - - DASHED LINES INDICATE FIELD CONNECTIONS.

THIS DRAWING AND ALL OF ITS CONTENTS ARE THE SOLE PROPERTY OF GENERAL AIR PRODUCTS, INC. DETAILS MAY CHANGE WITHOUT NOTICE. THE CONTENTS OF THIS DRAWING, IN WHOLE OR IN PART IN ANY EQUIPMENT, NOR THE MANUFACTURE OF ANY PARTS, WITHOUT WRITTEN CONSENT OF GENERAL AIR PRODUCTS, INCORPORATED.

APPROVALS	DATE	TITLE
DRAWN	DATE	
WLW	08/04/23	
CHECKED	DATE	
DPH	08/04/23	
SCALE	SIZE	
NONE		
SHEET	B	DWG NO. E-223104
1 OF 1		REV 0



WIRING INSTRUCTIONS
1Ø & 3Ø OIL LESS COMPRESSORS
WITH DIGITAL PRESSURE SWITCH