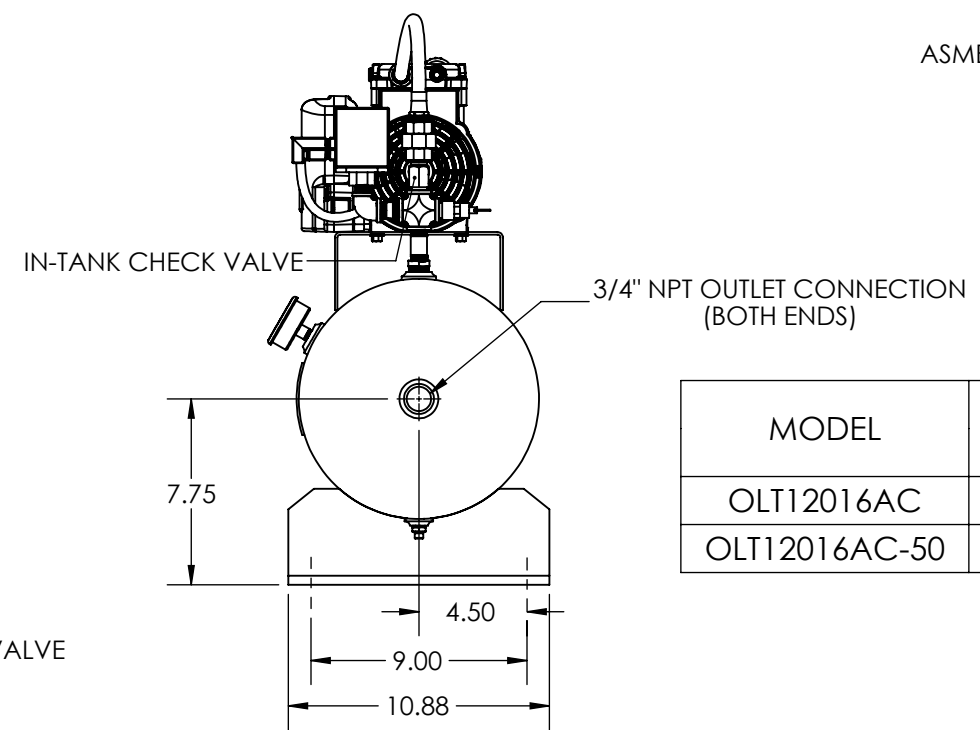
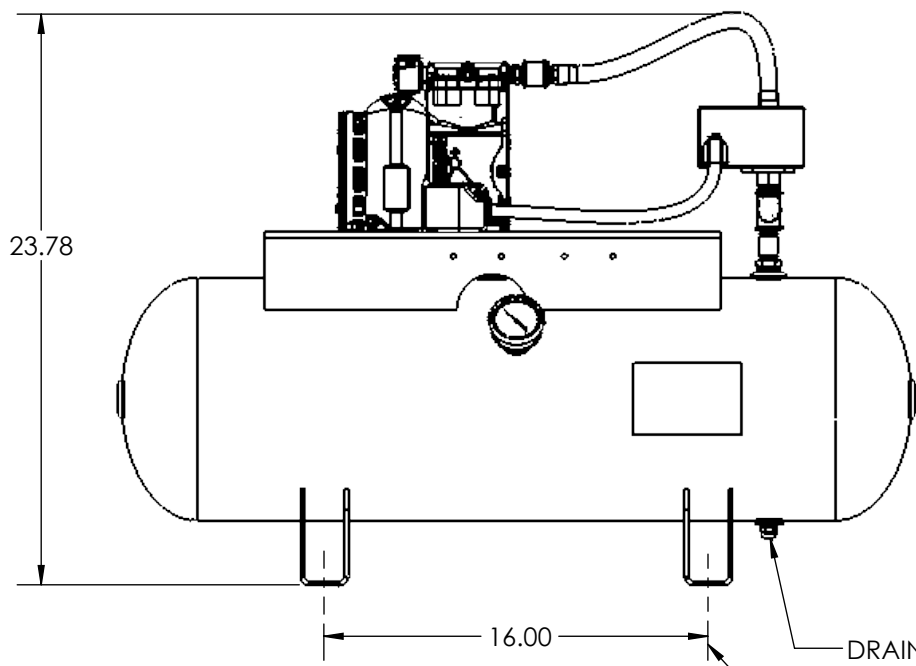
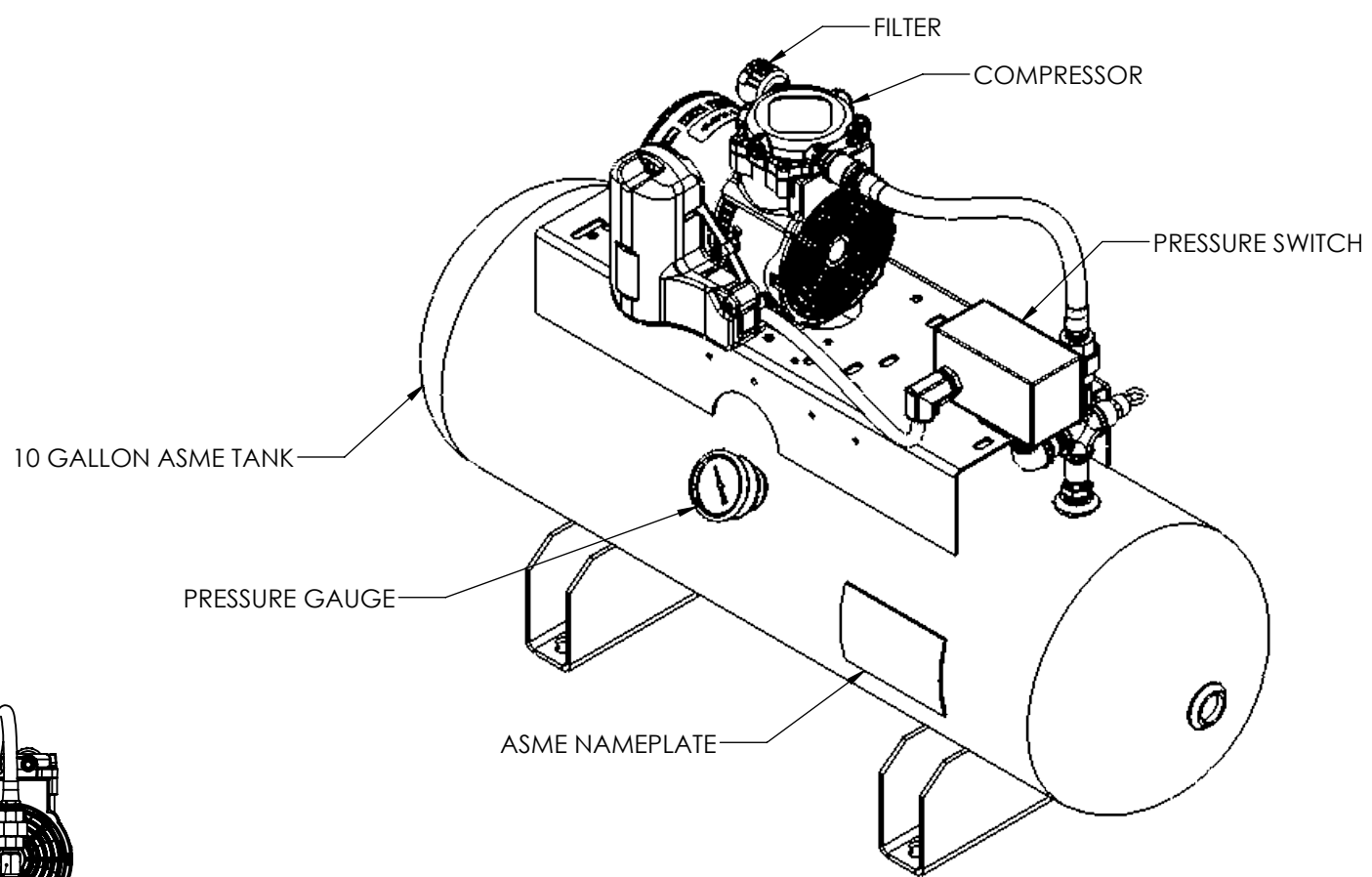
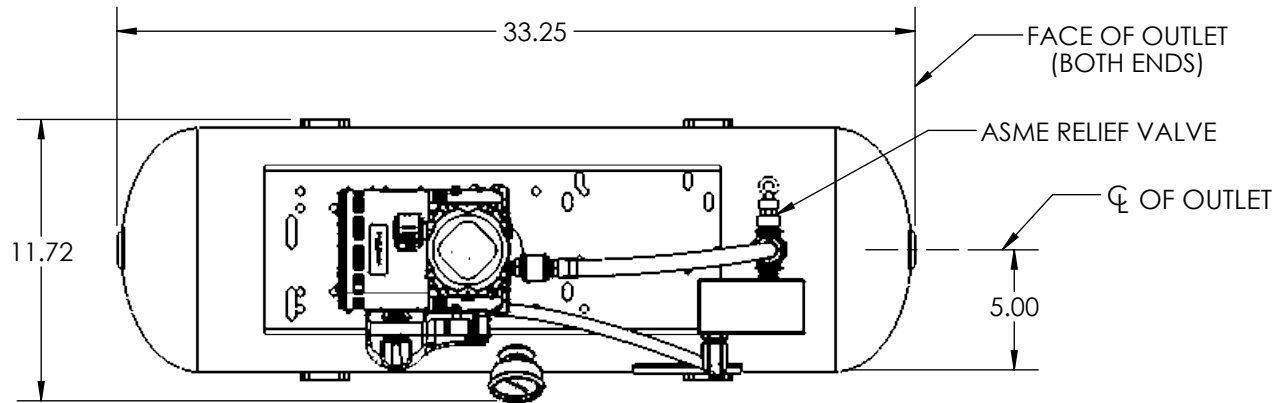


REVISIONS				
ECO	REV	DESCRIPTION	DATE	APPROVED
0581	0	RELEASE OF DRAWING	09/08/21	DPH



MODEL	VOLTAGE	PRESSURE SWITCH SETTING		RELIEF VALVE
		ON	OFF	
OLT12016AC	115/208-230V/1PH/60Hz	27-30 PSIG	40-44 PSIG	75 PSIG
OLT12016AC-50	220-240V/1PH/50Hz			

UNLESS OTHERWISE SPECIFIED DIMENSIONS ARE IN INCHES TOLERANCES ARE:
 FRACTIONS DECIMALS ANGLES
 ±X .xx ±1.00 ±X

THIS DRAWING AND ALL OF ITS CONTENTS ARE THE SOLE PROPERTY OF GENERAL AIR PRODUCTS, INC. DETAILS MAY CHANGE WITHOUT NOTICE. THE CONTENTS OF THIS DRAWING, MAY NOT BE REPRODUCED OR INCORPORATED IN WHOLE OR IN PART IN ANY EQUIPMENT, NOR THE MANUFACTURE OF ANY PARTS, WITHOUT WRITTEN CONSENT OF GENERAL AIR PRODUCTS, INCORPORATED.

GENERAL AIR PRODUCTS

APPROVALS	DATE	TITLE:
DRAWN WLW	06/09/21	GENERAL ARRANGEMENT OIL LESS COMPRESSORS 1 CYL 1/6 HP TANK MOUNT WITH MECHANICAL PRESSURE SWITCH
CHECKED DPH	06/09/21	
SCALE NONE	SIZE B	
SHEET 1 OF 1	DWG. NO. G-221136	